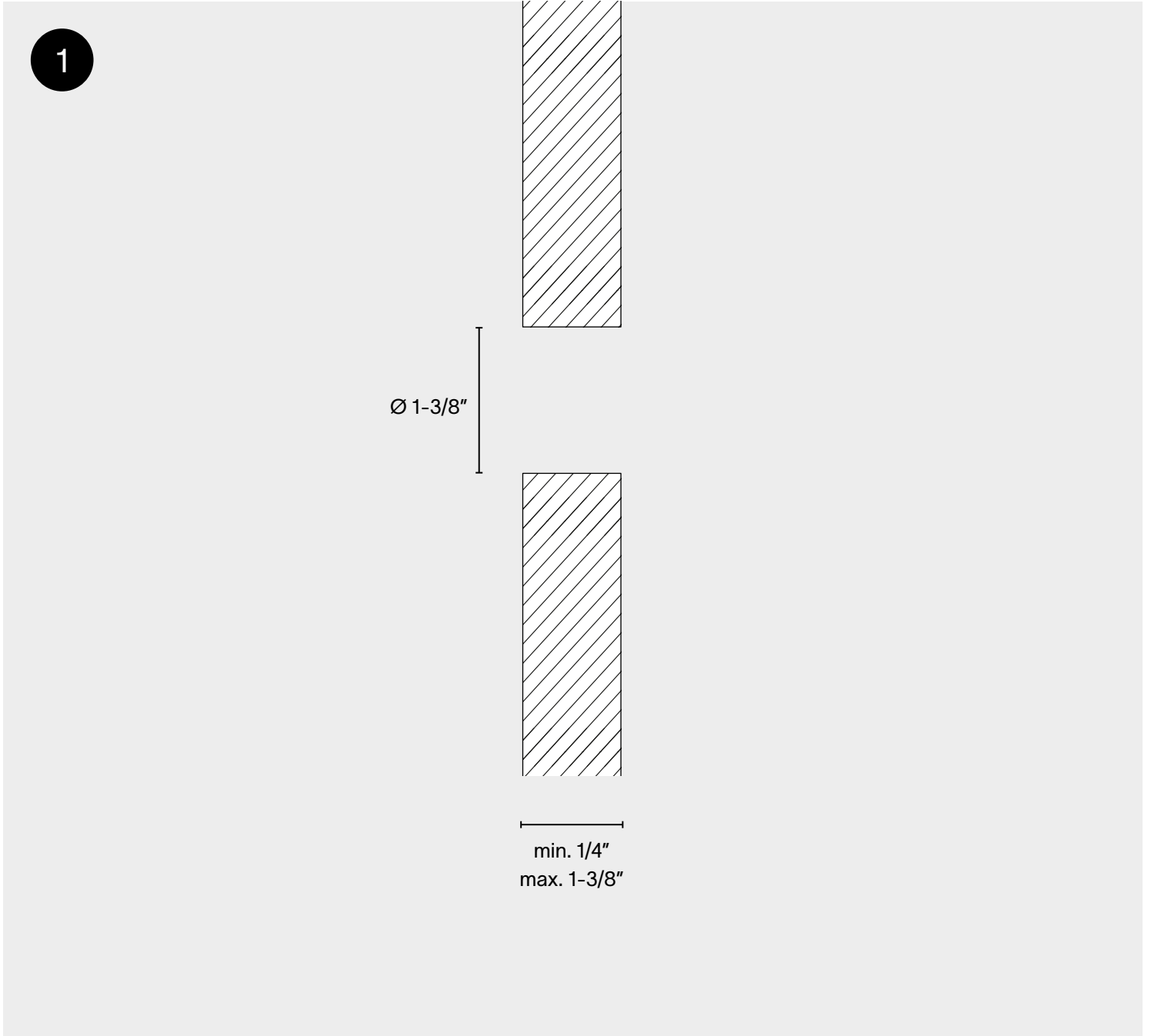
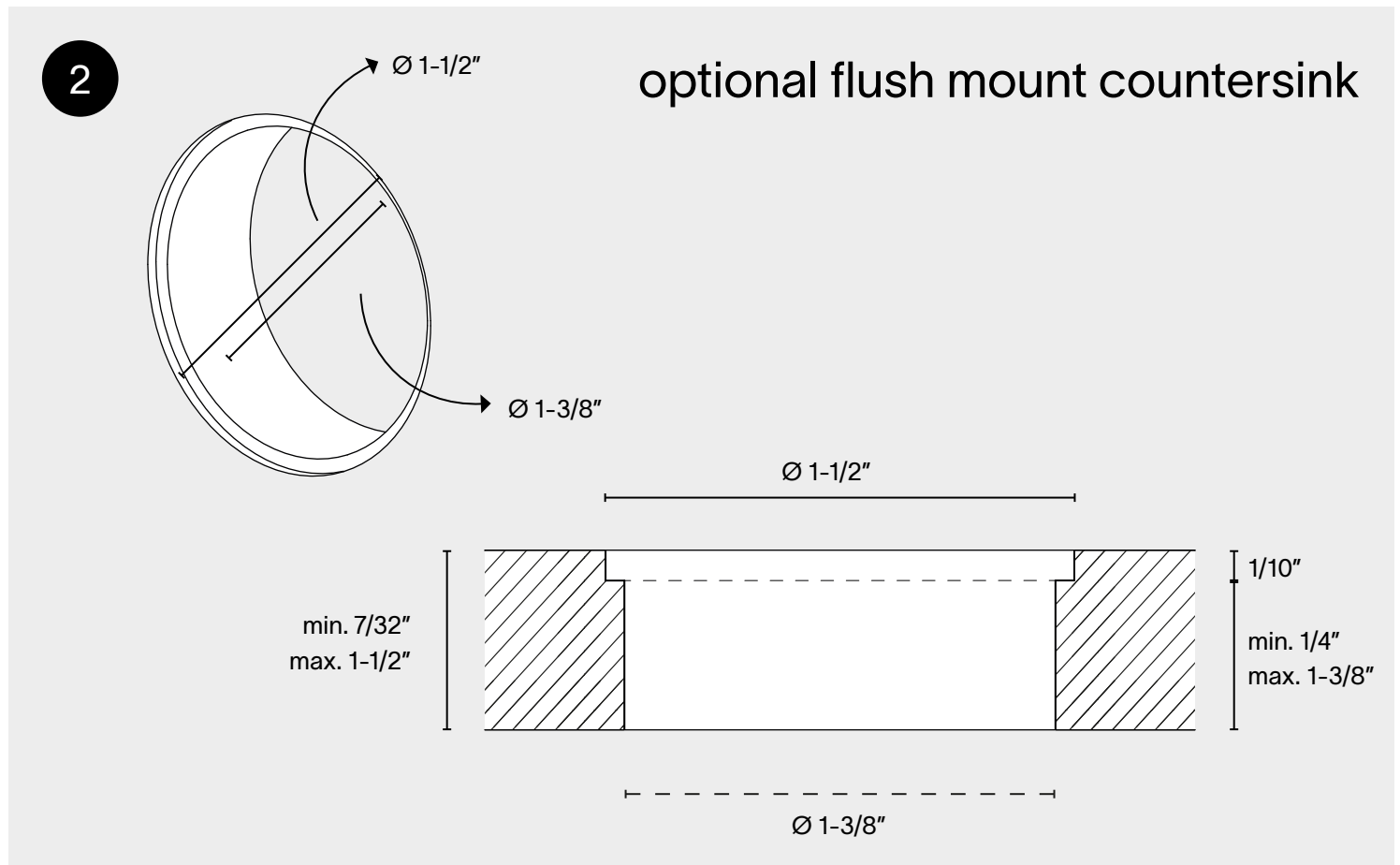


# unifit outlet single corded installation instruction





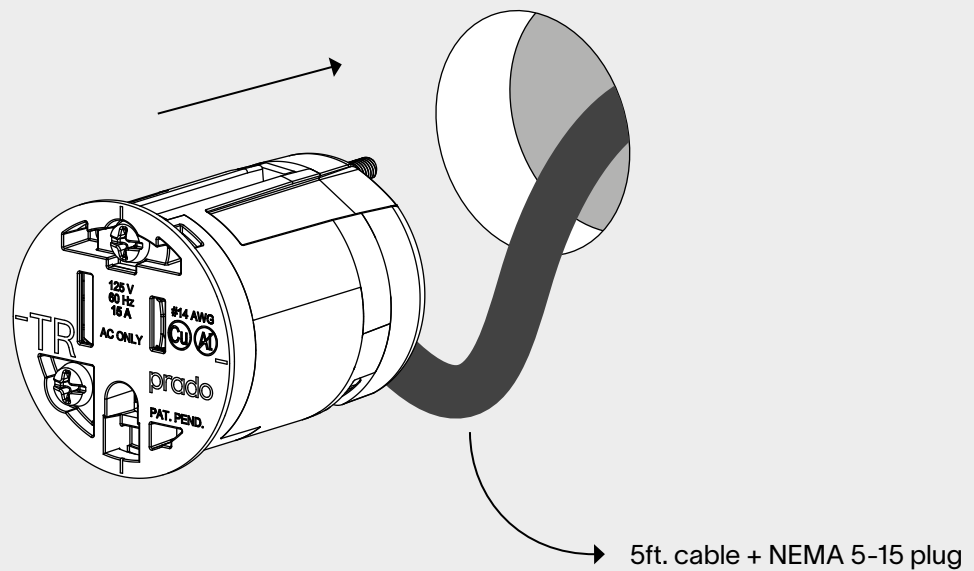
## Drill the installation hole.

A Furniture Power Distribution Unit provided with auxiliary lighting features is not for permanent installation. Do not remove the plug for permanent connection to the electrical system.

A Furniture Power Distribution Unit is not for permanent installation as part of the building structure and not for mounting in a permanently-installed furnishing such as a fixed countertop.

This outlet is intended for installation in the side panels or other protected areas of furnishings. It shall not be installed in horizontal or spill-prone surfaces, such as the top or front surface of a table or desk.

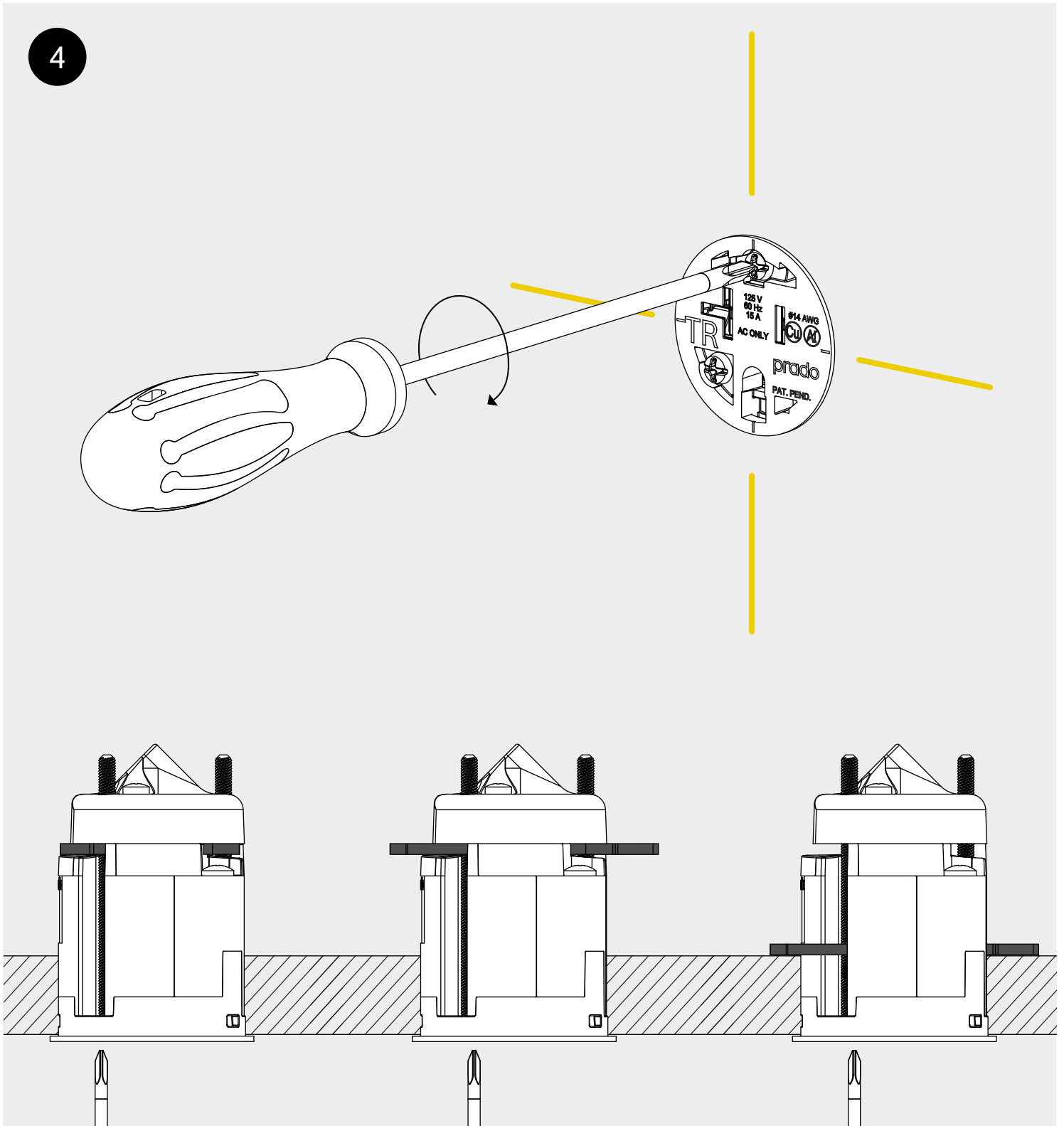
3



**POWER  
OFF**

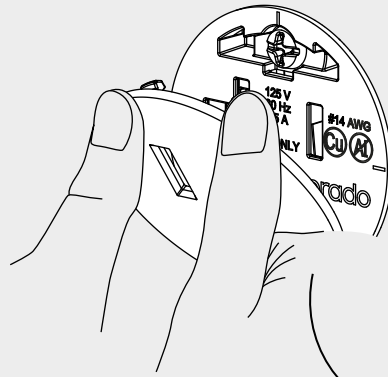


Insert the outlet in the hole and connect the plug. Make sure the power is turned off during installation.

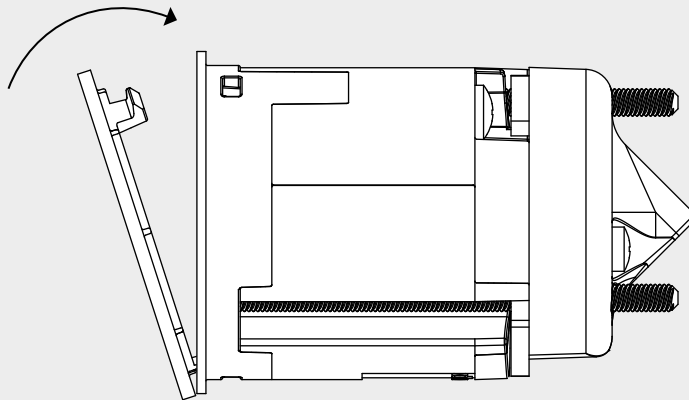


Level the outlet and fixate it by tightening the screws.

5

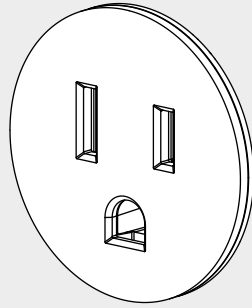


unifit cover plate sold separately

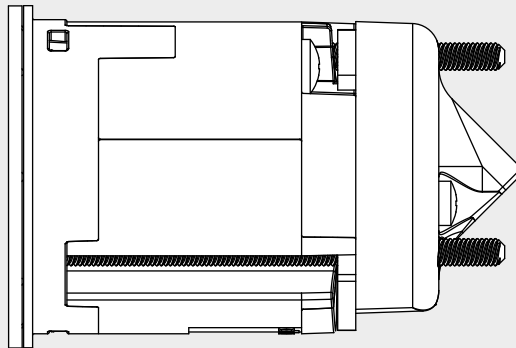


Install the cover plate.

6



"click"



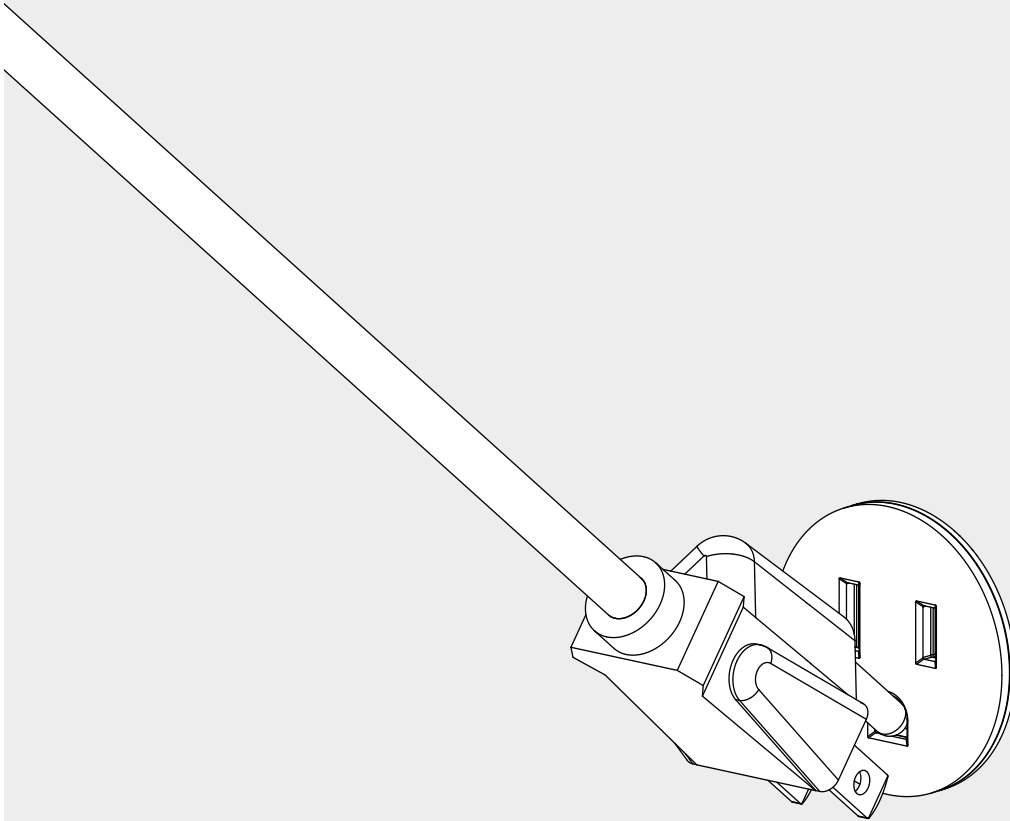
**POWER  
ON**



Turn the power back on.

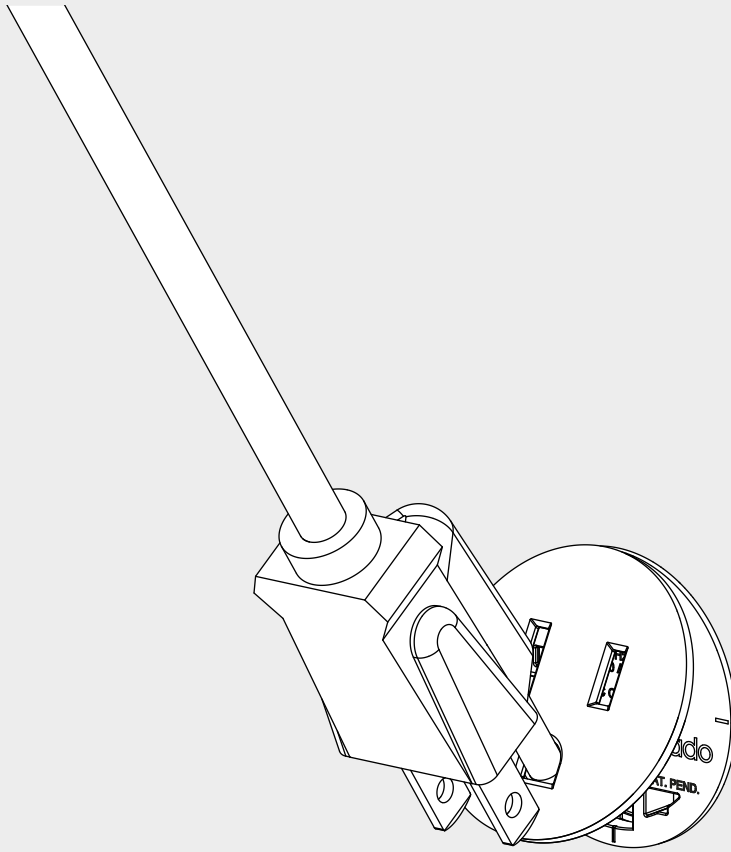
1

for removal

**POWER  
OFF**

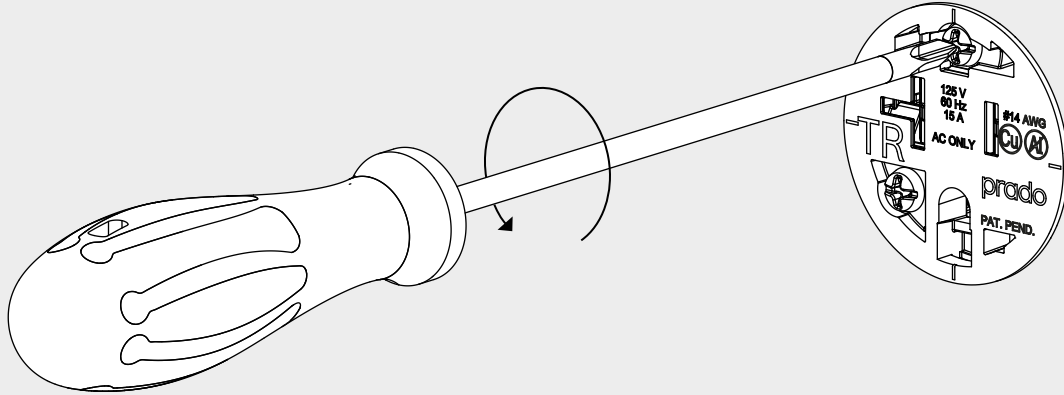
Turn the power off before removing the outlet.

2



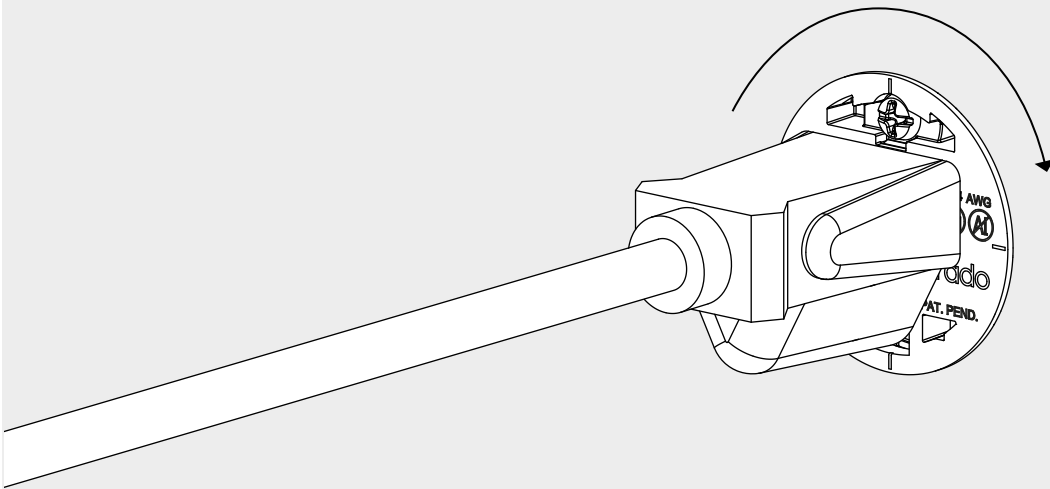
Click off the cover plate using a plug.

3



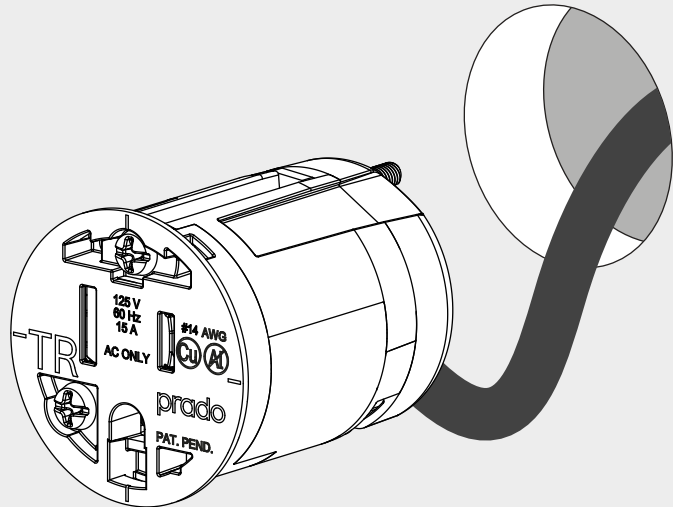
Loosen the screws.

4



Remove the outlet by using a plug and twisting clockwise.

5



Remove the outlet.

thank you for choosing prado



CONFORMS TO UL STD. 962A  
CERTIFIED TO CSA STD. C22.2#308

prado.com

support@prado.com - Prado America LLC

Installation must be done by skilled professionals only and instructions must be followed at all times. Warranty will not apply in case of wrongful use or if unskilled personnel attempts to repair a product.