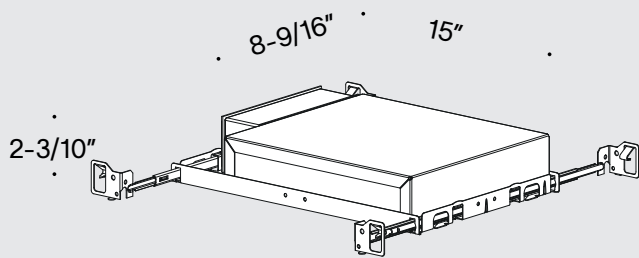


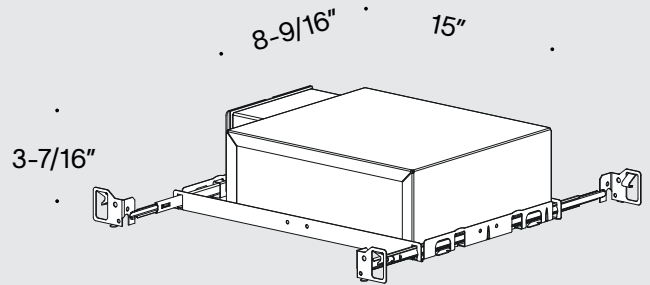
clt ring jack

installation instruction

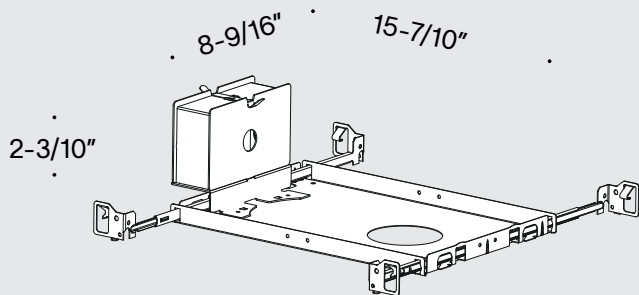
1



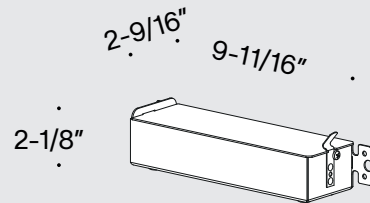
housing



housing



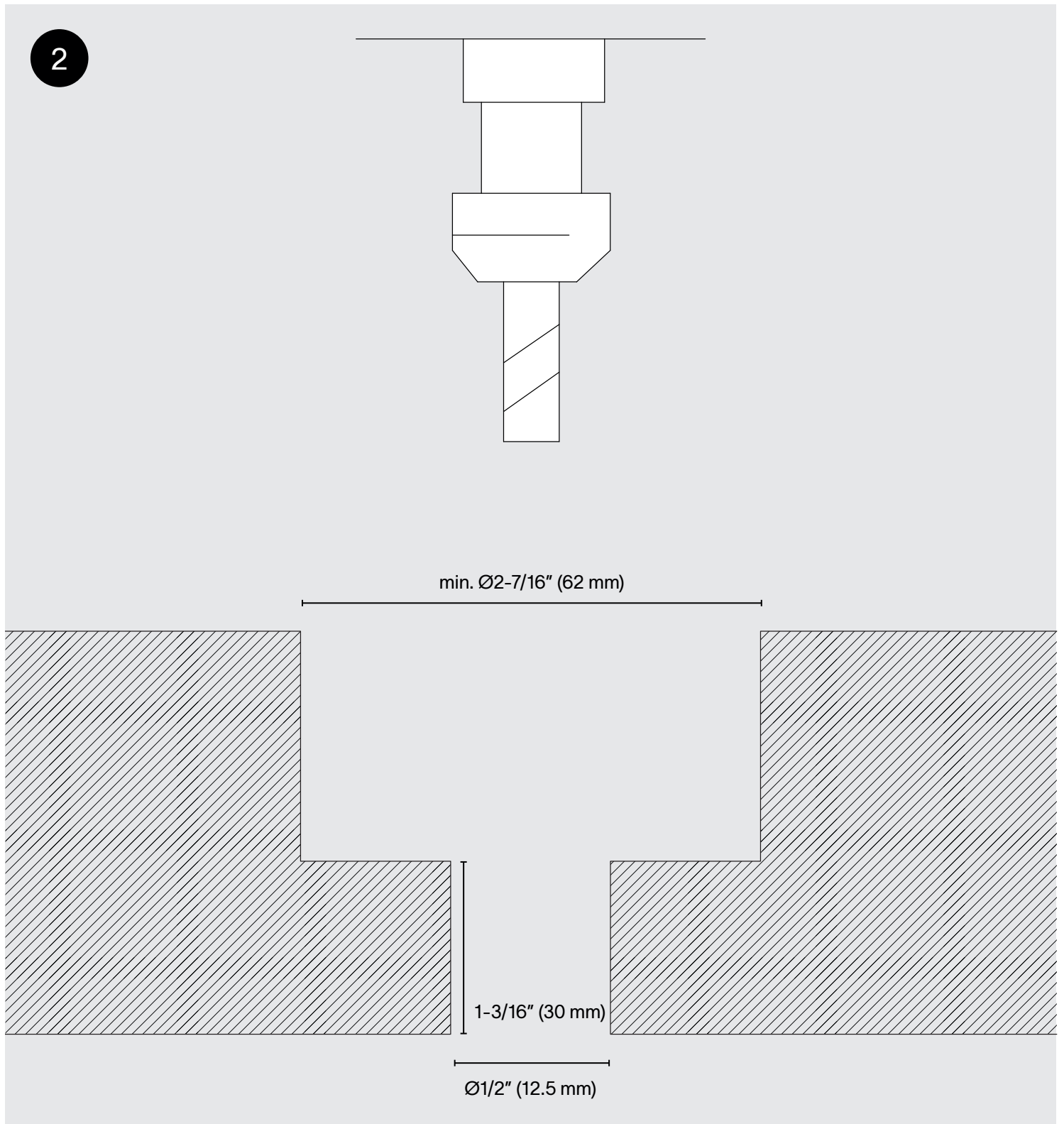
housing



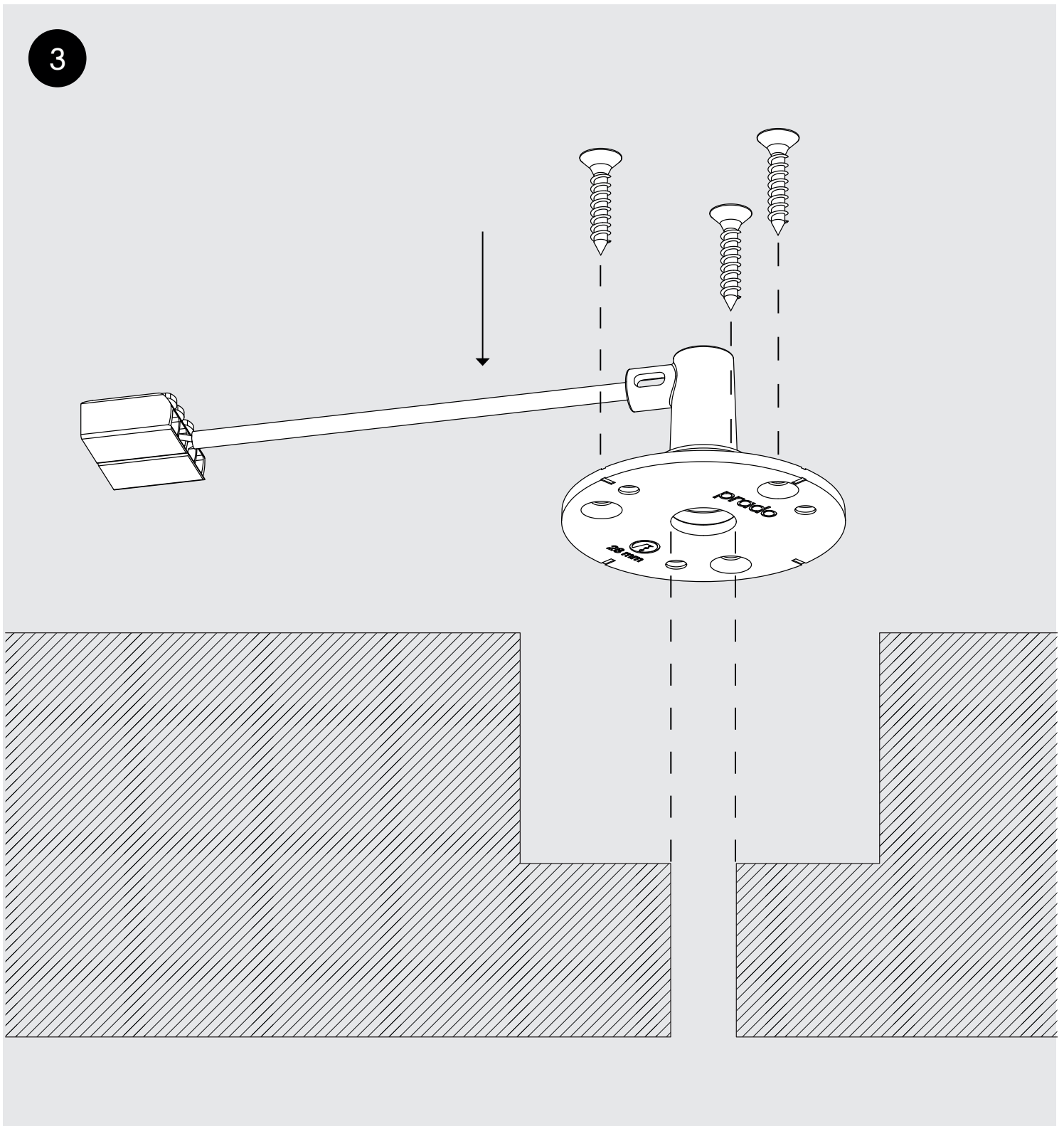
remodel



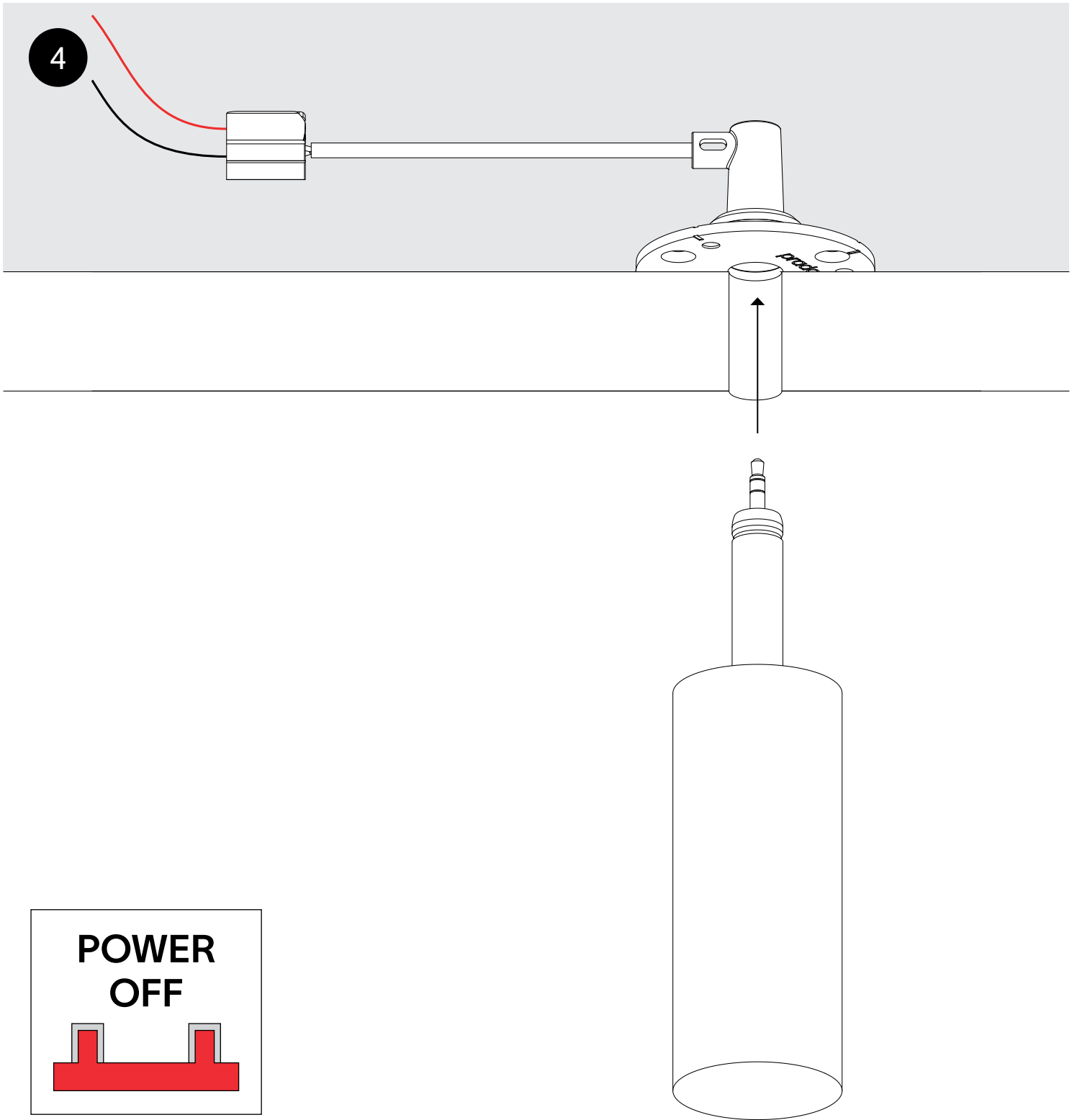
Install the appropriate IC/driver box.



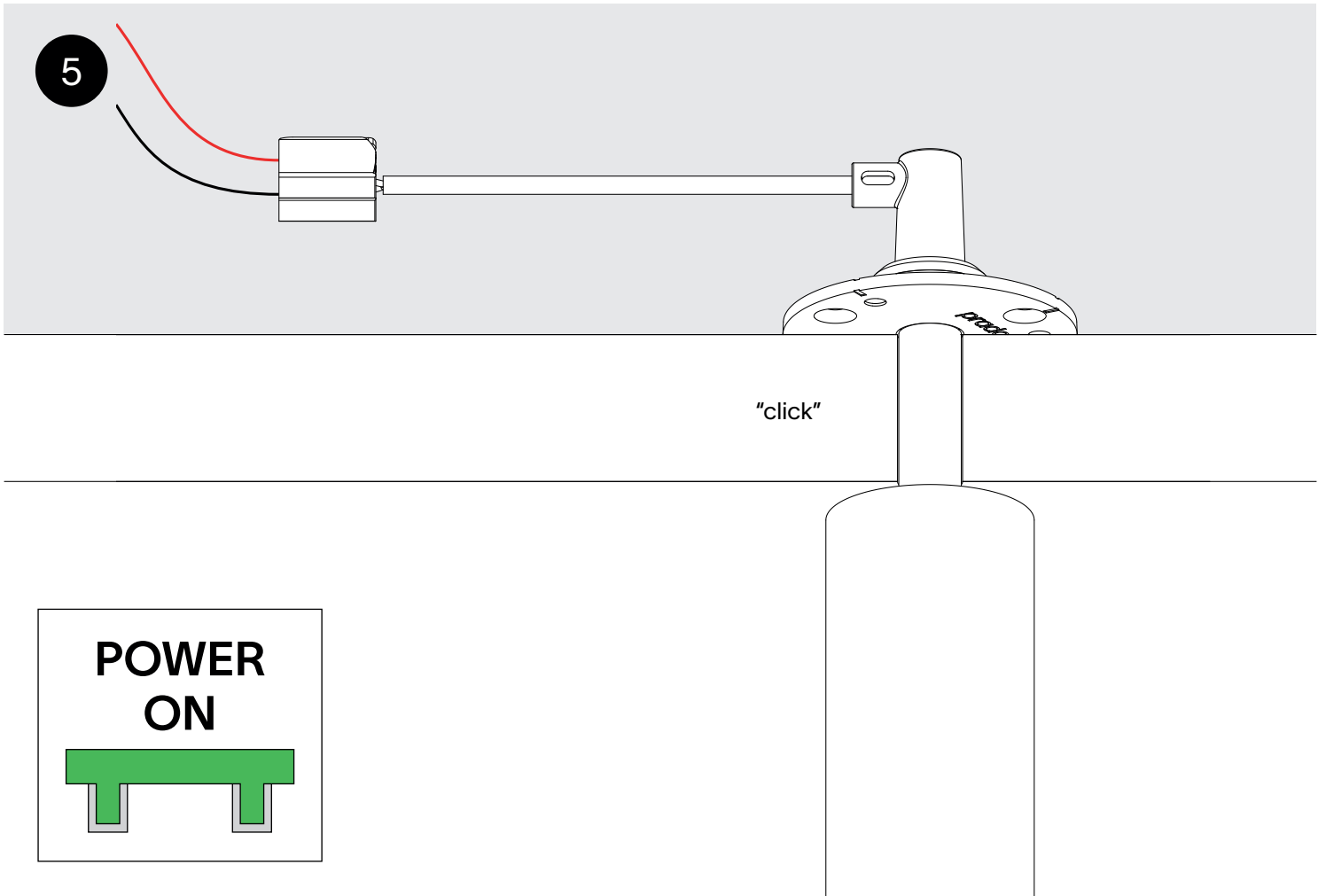
Mill a round hole with the above dimensions.



Fasten the clt ring and securely fasten it with the appropriate screws on a screw-fast surface. It's the installers responsibility to ensure optimal attachment.



Make the electrical connection and test it before closing the ceiling. Do not plug or unplug the fixture while power is on.



Turn the power on after plugging in the fixture.

thank you for choosing prado



prado.com

Installation must be done by skilled professionals only and instructions must be followed at all times. Warranty will not apply in case of wrongful use or if unskilled personnel attempts to repair a product.