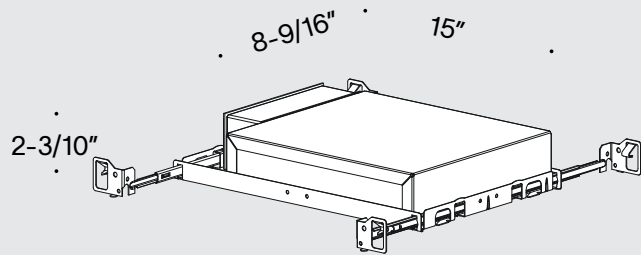
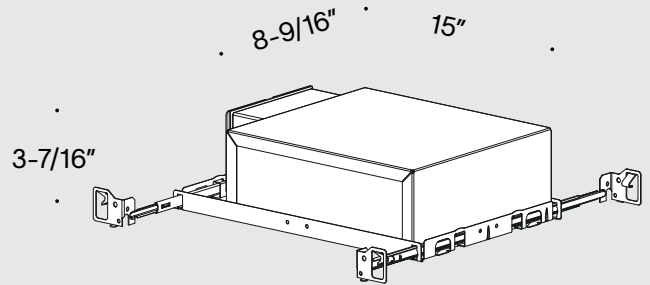


mud ring jack installation instruction

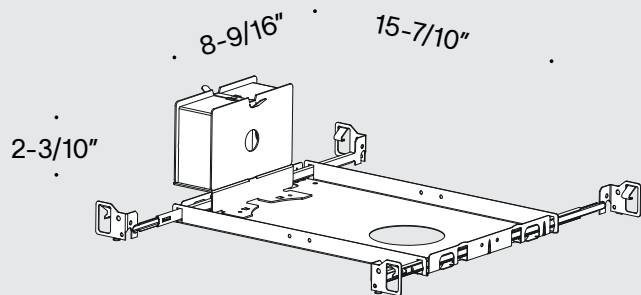
1



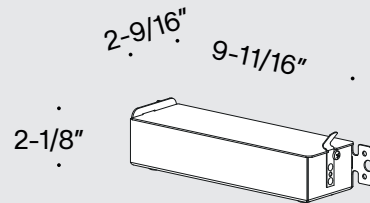
housing
IC AT



housing
IC AT



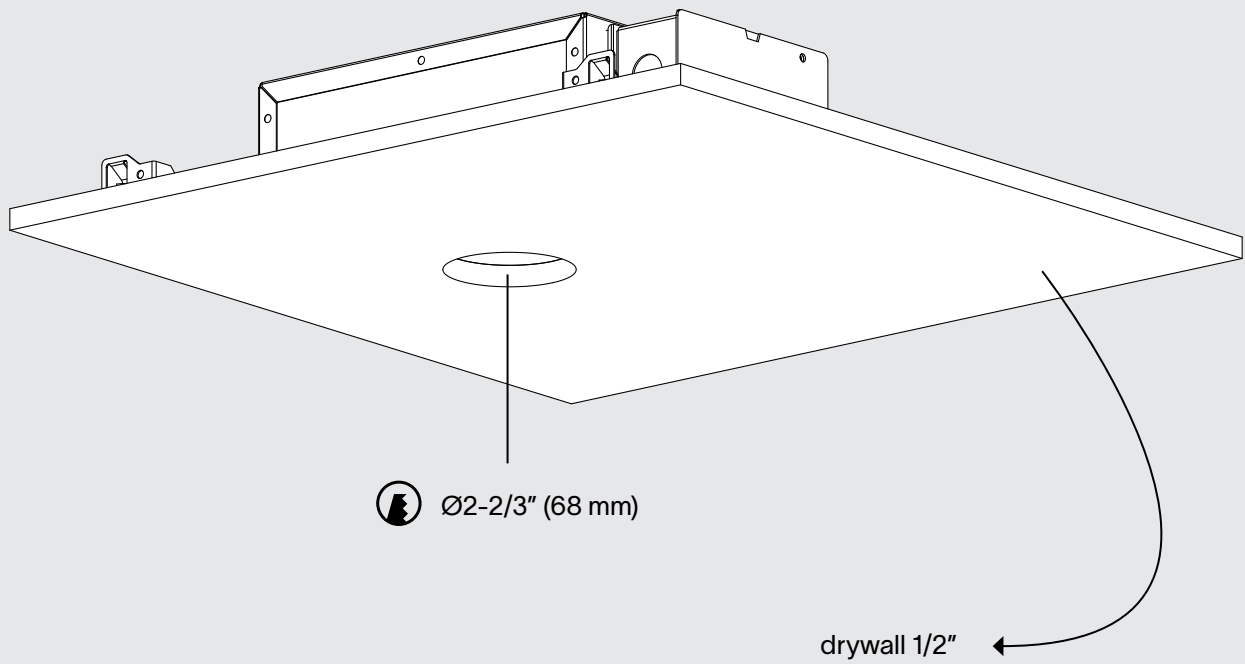
housing
NIC



remodel
IJB

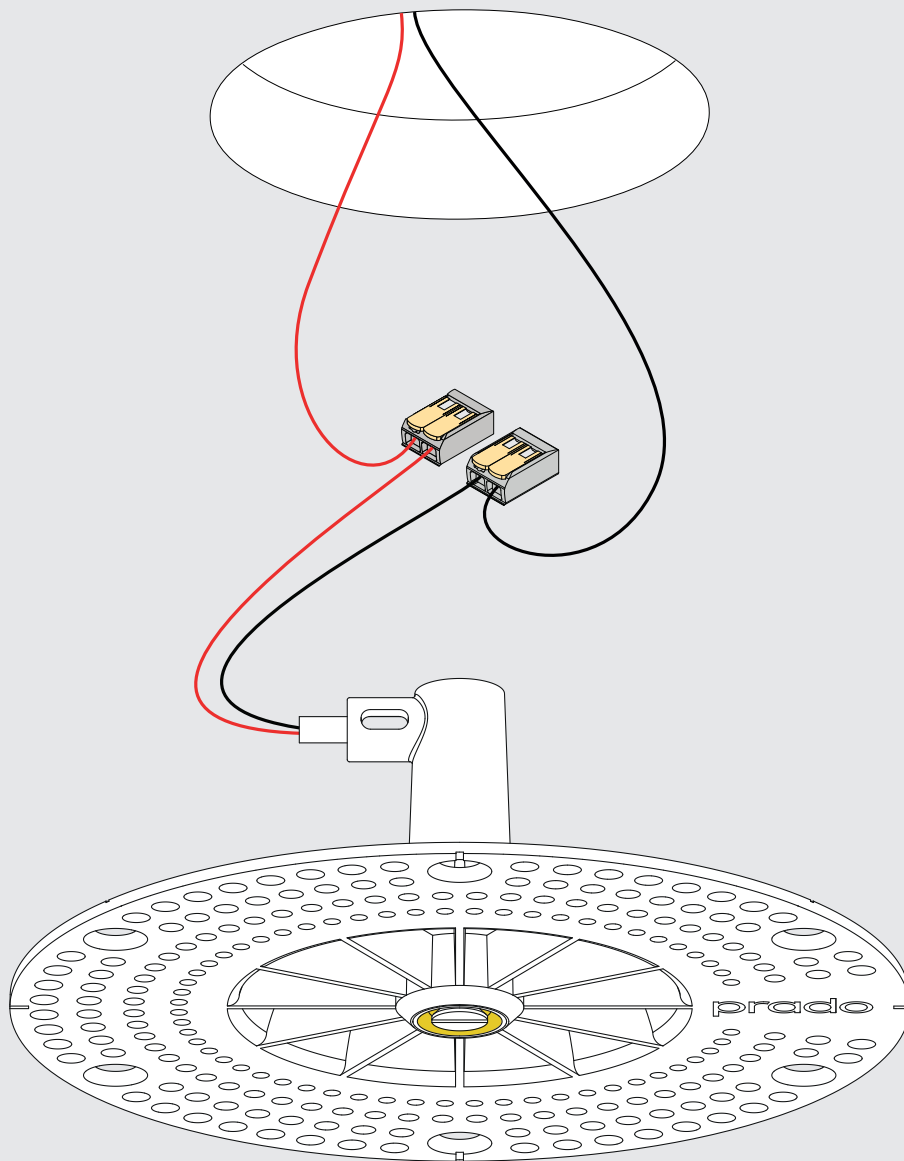
Install the appropriate IC/driver box.

2



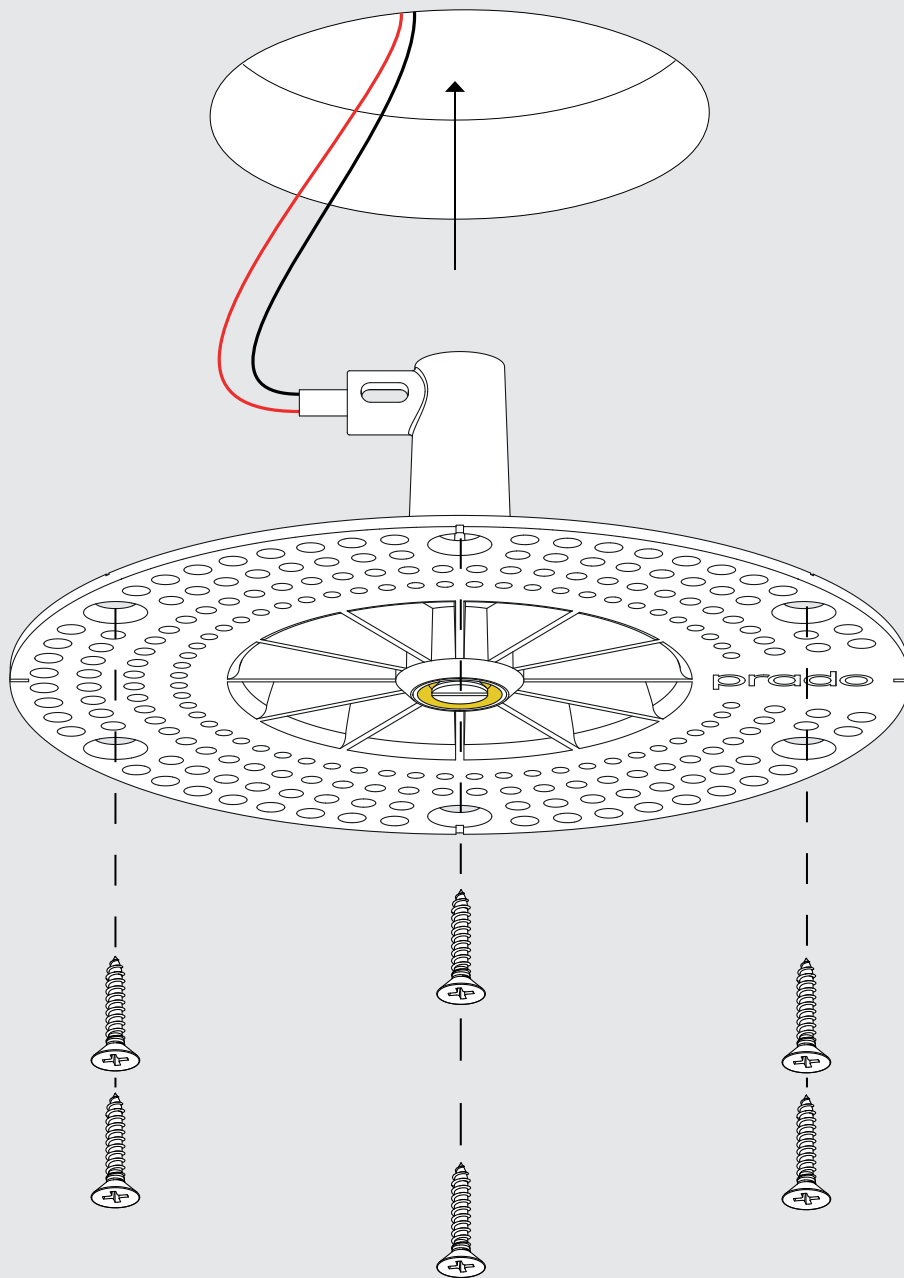
Install the drywall (thickness 1/2") with a round hole ($\text{Ø}2\text{-}2/3''$).

3

**POWER
OFF**

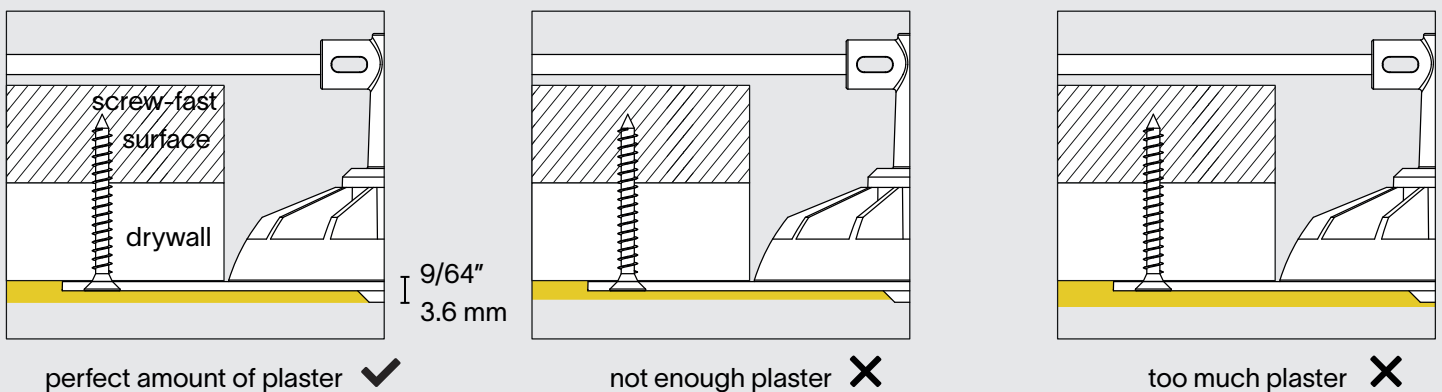
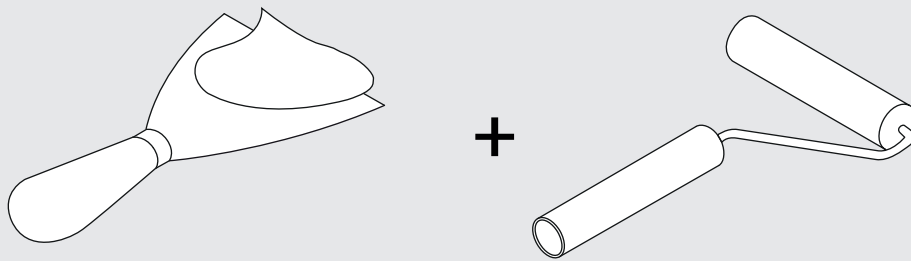
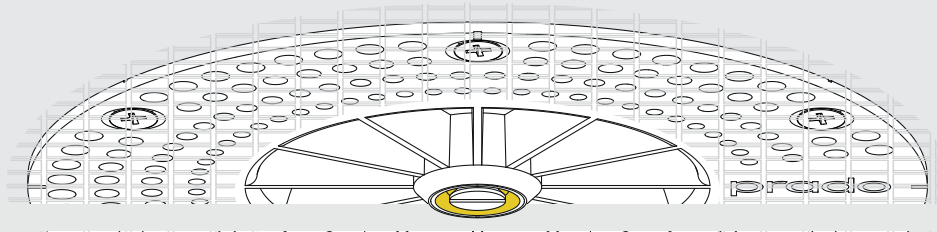
Connect the wires with wago connectors. For serial connection, respect polarity. Combine with a prado LED-driver.

4



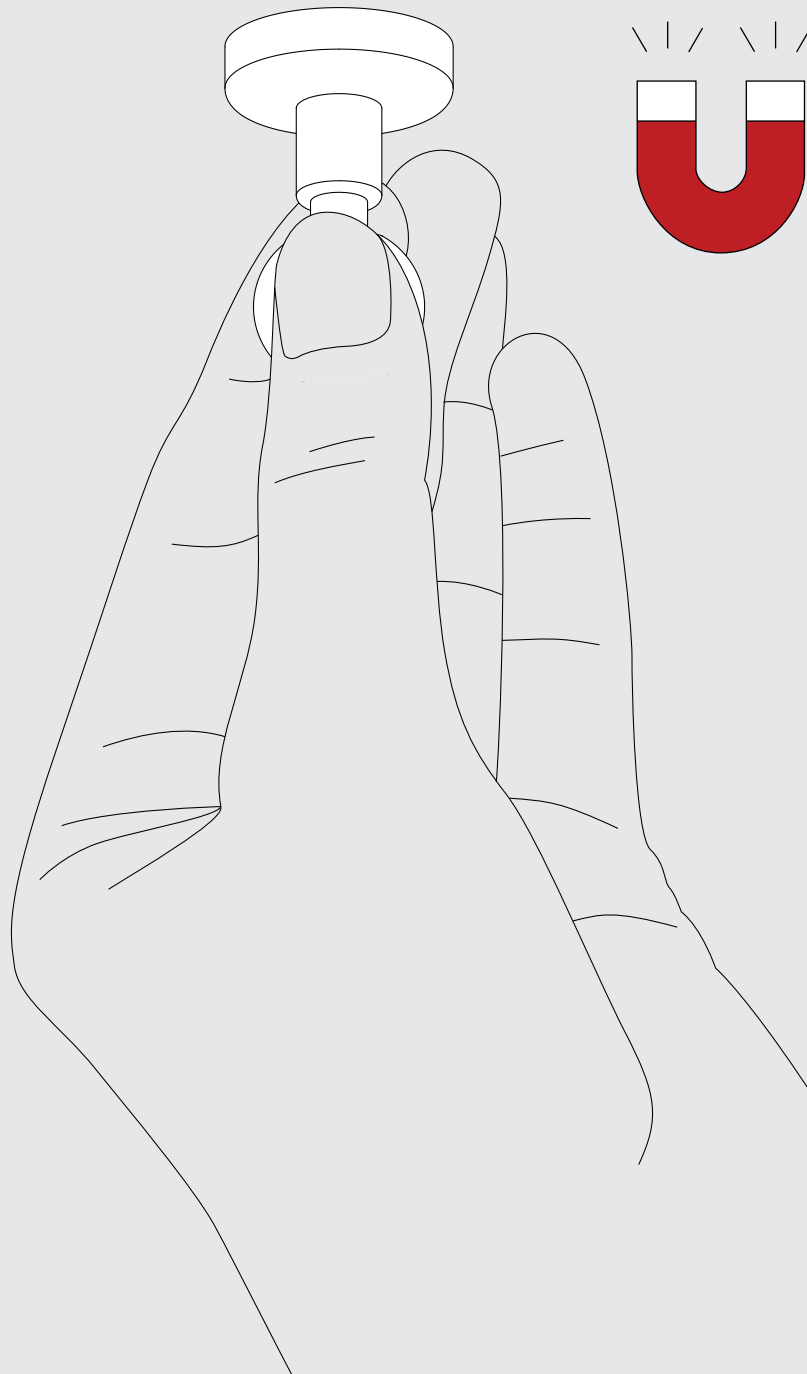
Install the mud ring and securely fasten it with glue or the appropriate screws on a screw-fast surface. It's the installers responsibility to ensure optimal attachment.

5



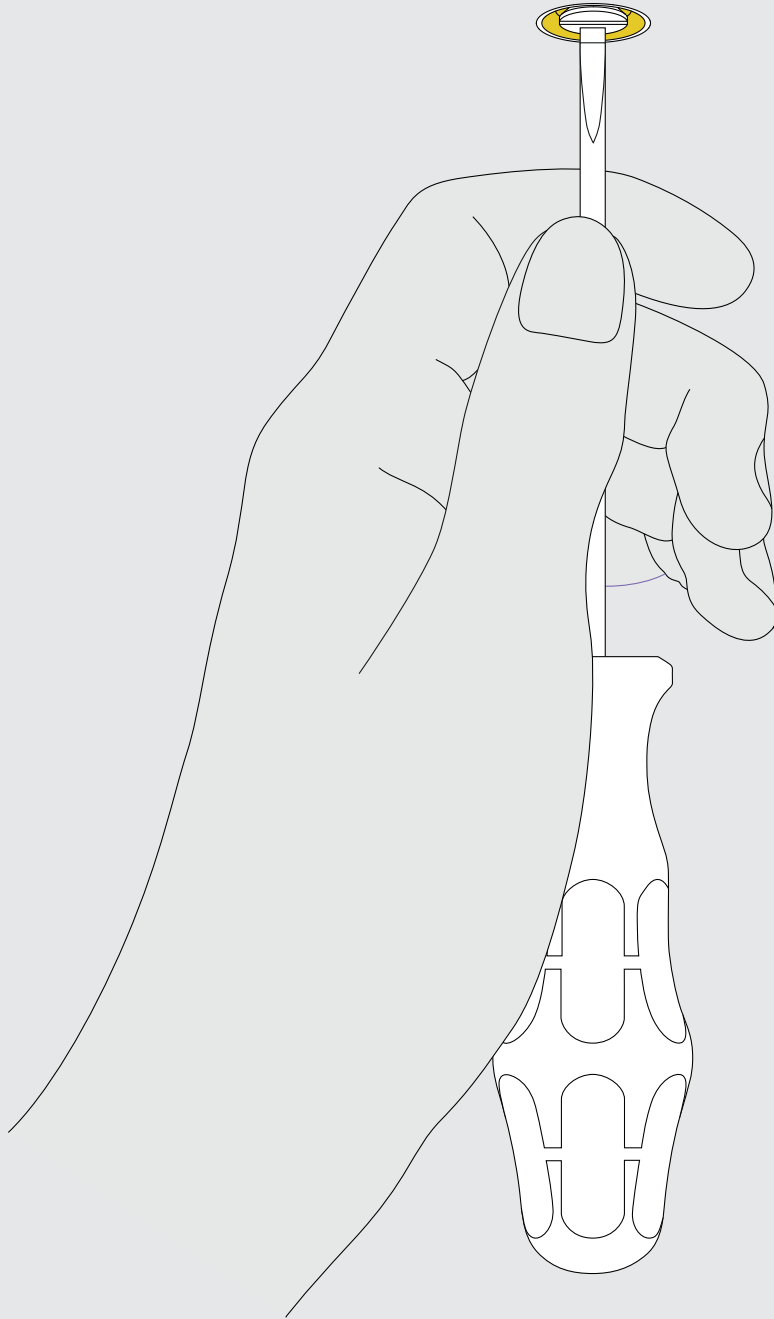
Excercise caution while plastering, do not damage the ring. Keep the plaster lid inside the mud ring while plastering. Use a fiberglass mesh tape for optimal plaster adhesion. Make sure not to touch the edge of the ring while sanding.

6

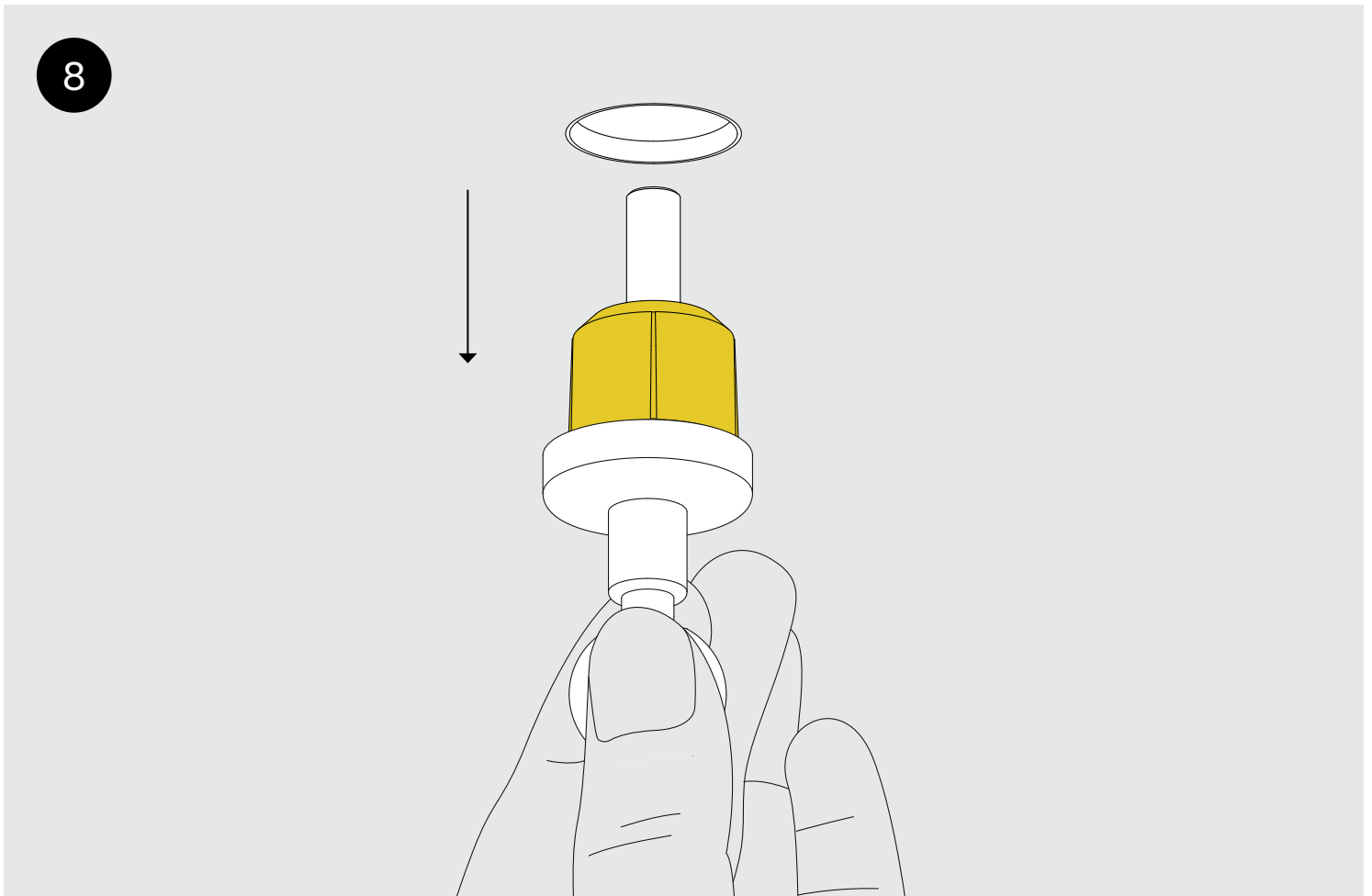


Carefully remove excess plaster to access the screw. You can easily locate the jack by using a magnet.

7



Twist the yellow plaster lid with a screwdriver before removing it with a magnet.



Remove the plaster lid with a magnet before installing the fixture. Any residue needs to be removed without damaging the edges of the installation ring.

thank you for choosing prado



prado.com

Installation must be done by skilled professionals only and instructions must be followed at all times. Warranty will not apply in case of wrongful use or if unskilled personnel attempts to repair a product.