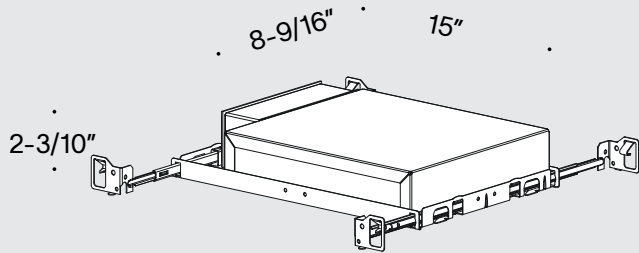


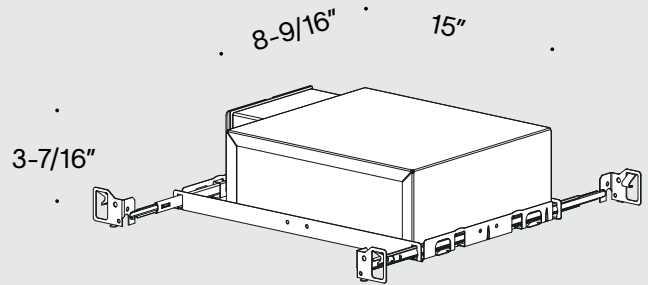
adjustable thin mud ring Ø2-1/4"

installation instruction

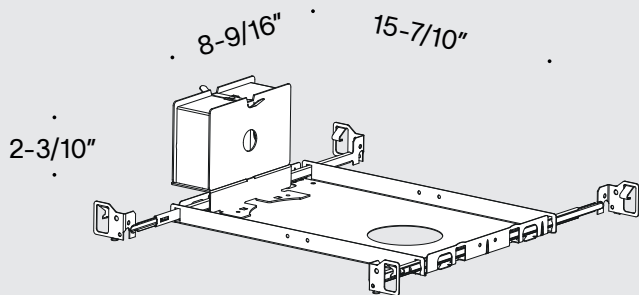
1



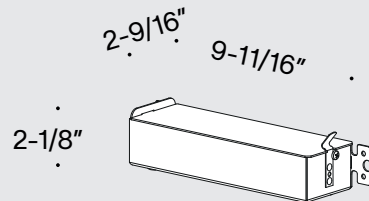
housing
IC AT



housing
IC AT



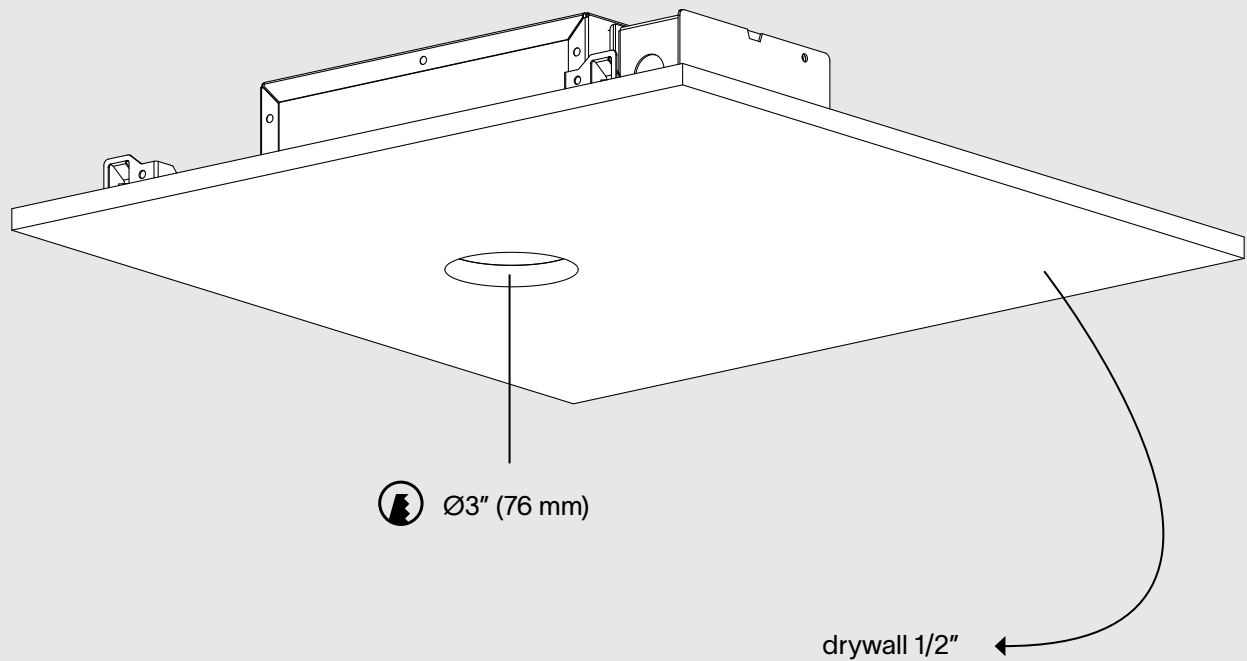
housing
NIC



remodel
IJB

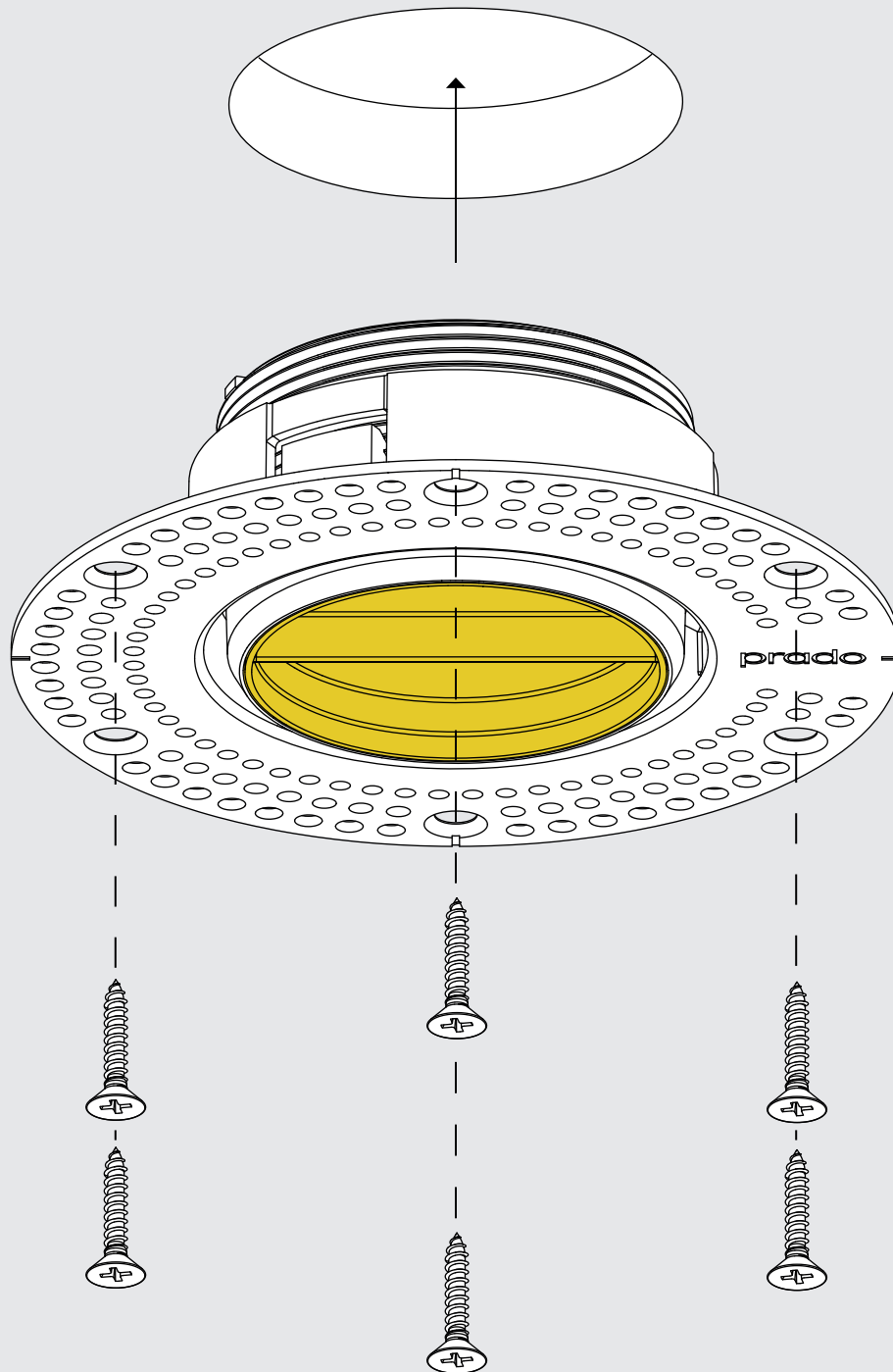
Install the appropriate IC/driver box.

2



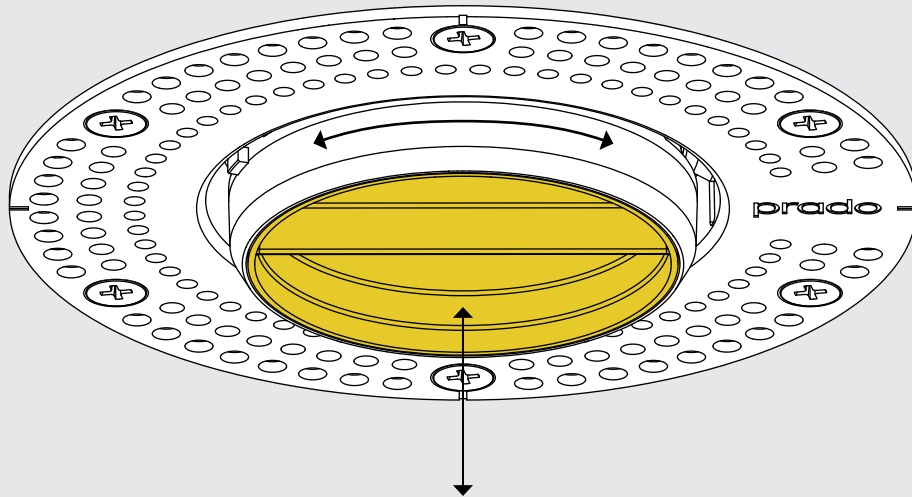
Install the drywall (thickness 1/2") with a round hole ($\text{Ø}3''$).

3



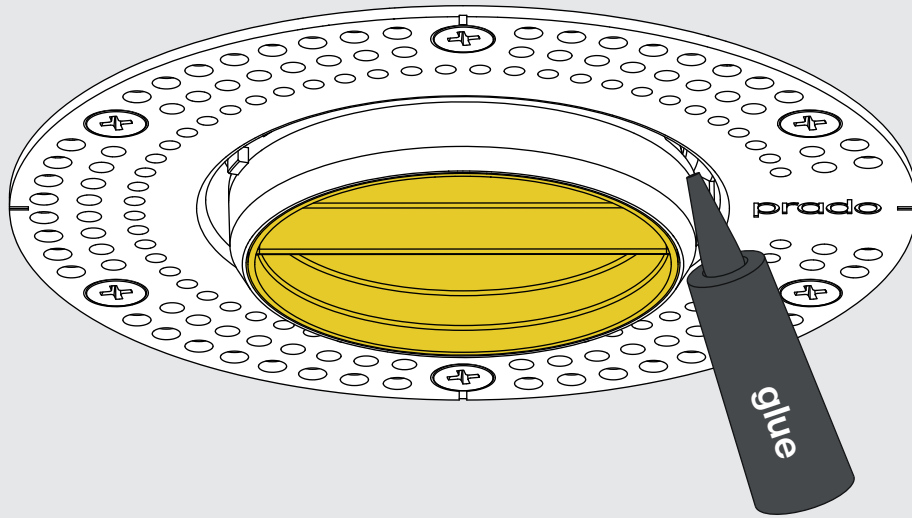
Install the mud ring and securely fasten it with glue or the appropriate screws on a screw-fast surface. It's the installers responsibility to ensure optimal attachment.

4



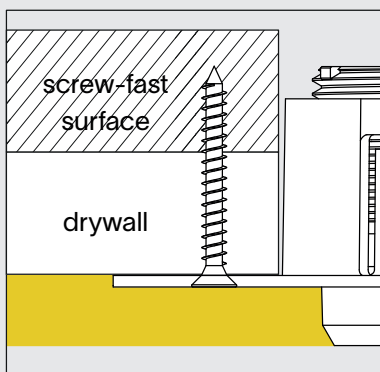
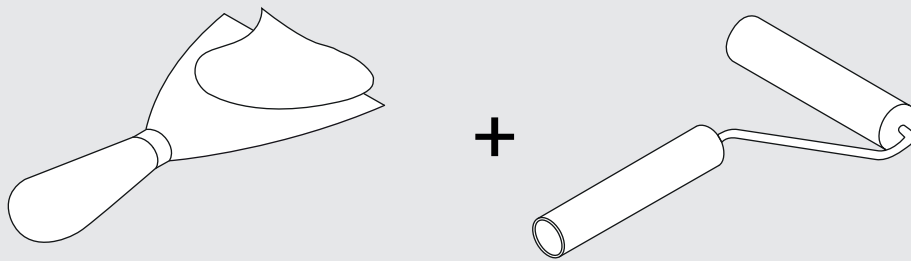
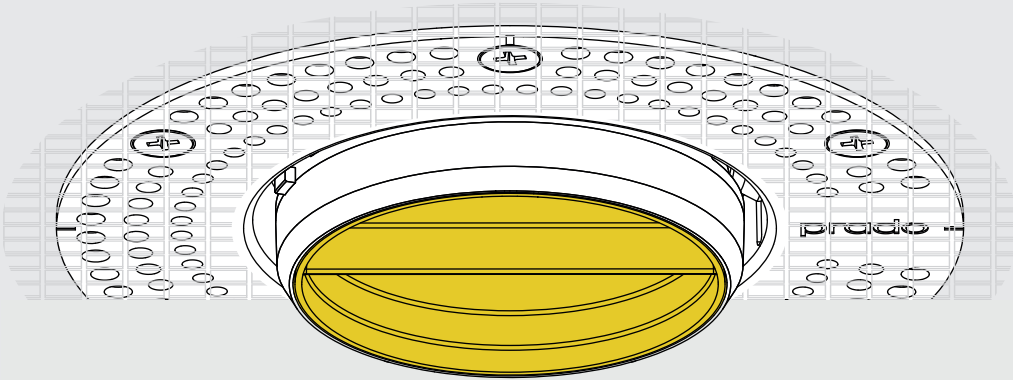
Adjust the height of the mud ring by twisting the inner part of the kit (min. 9/64" (3.6 mm) - max. 3/4" (20 mm)).

5

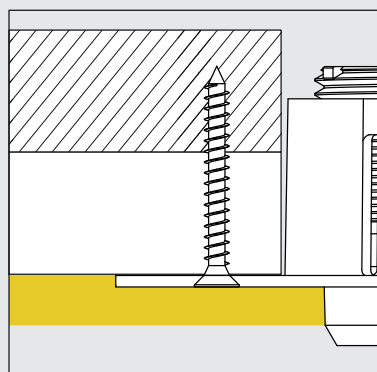


Fixate the inner part with the appropriate glue.

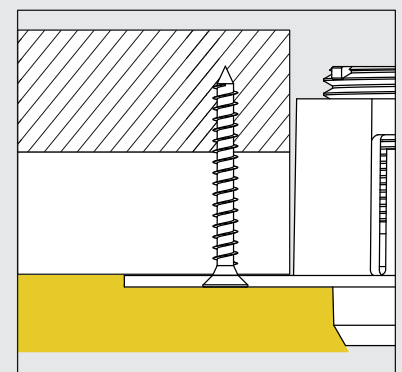
6



perfect amount of plaster ✓



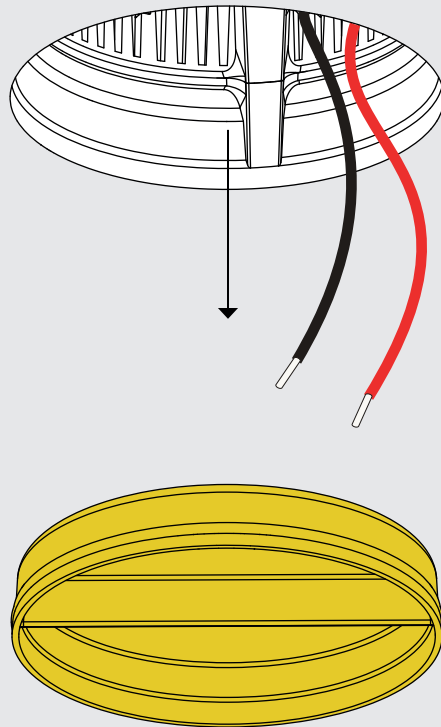
not enough plaster ✗



too much plaster ✗

Excercise caution while plastering, do not damage the ring. Keep the plaster lid inside the mud ring while plastering. Use a fiberglass mesh tape for optimal plaster adhesion. Make sure not to touch the edge of the ring while sanding.

7



Remove the plaster lid before installing the fixture. Any residue needs to be removed without damaging the edges of the ring.

thank you for choosing prado



prado.com

Installation must be done by skilled professionals only and instructions must be followed at all times. Warranty will not apply in case of wrongful use or if unskilled personnel attempts to repair a product.