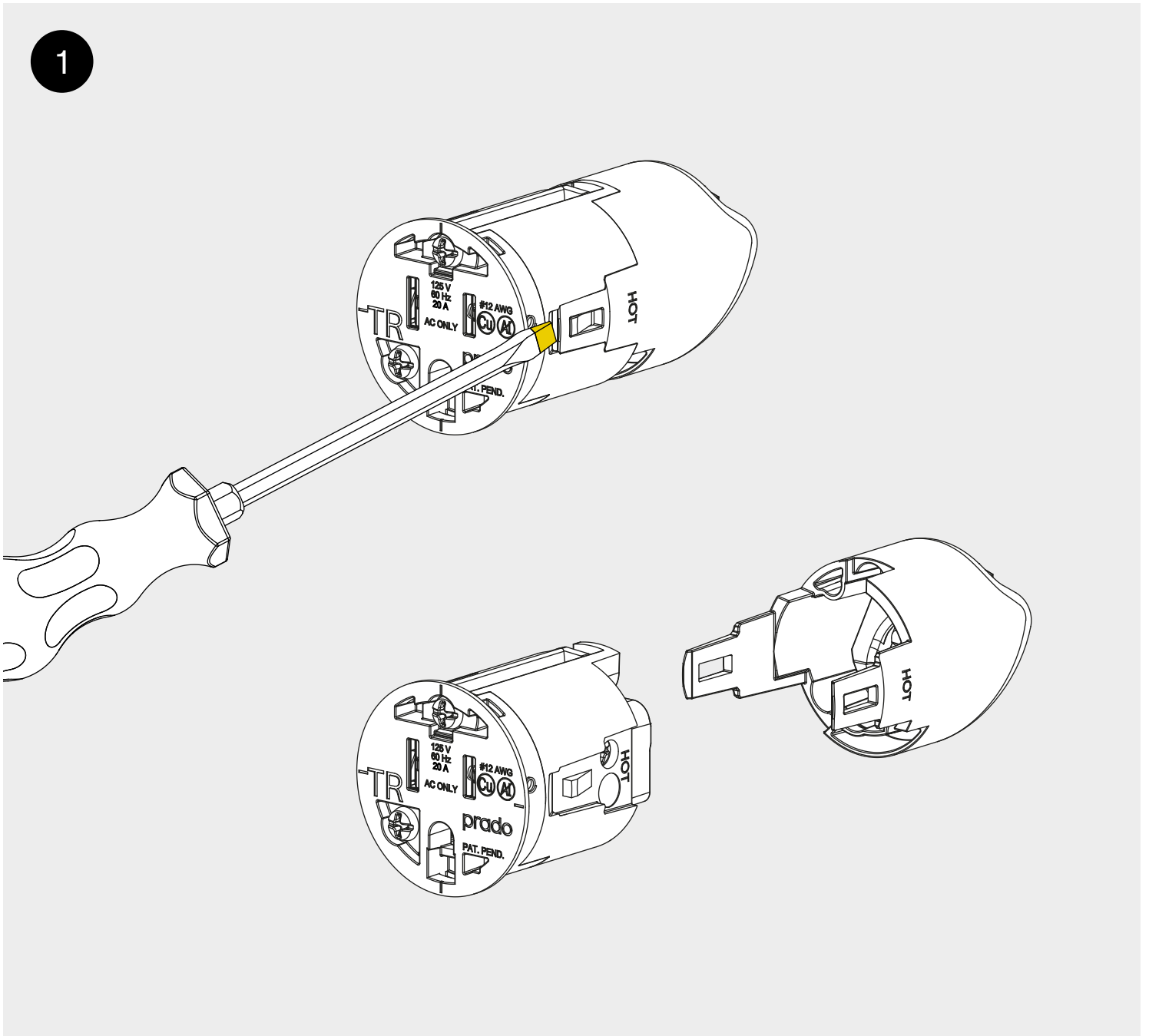


unifit outlet | single

installation instruction



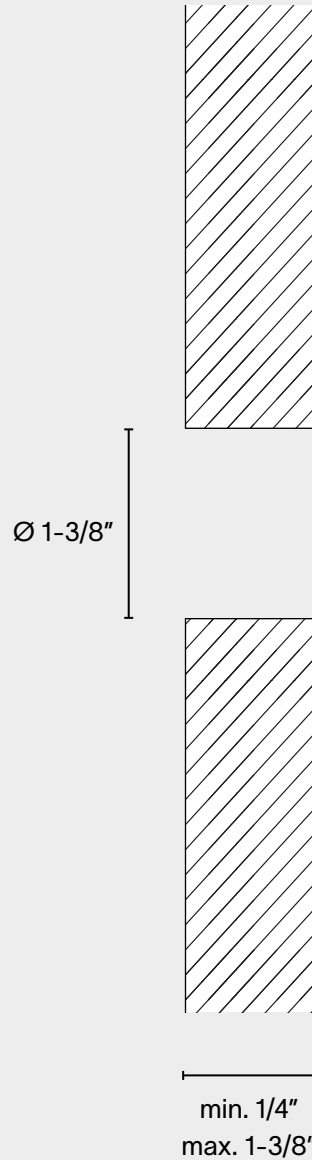
Remove the strain relief.

for **self contained** go to page 3 ([click here](#))

for **hardwired - with back box** go to page 12 ([click here](#))

for **removal** go to page 21 ([click here](#))

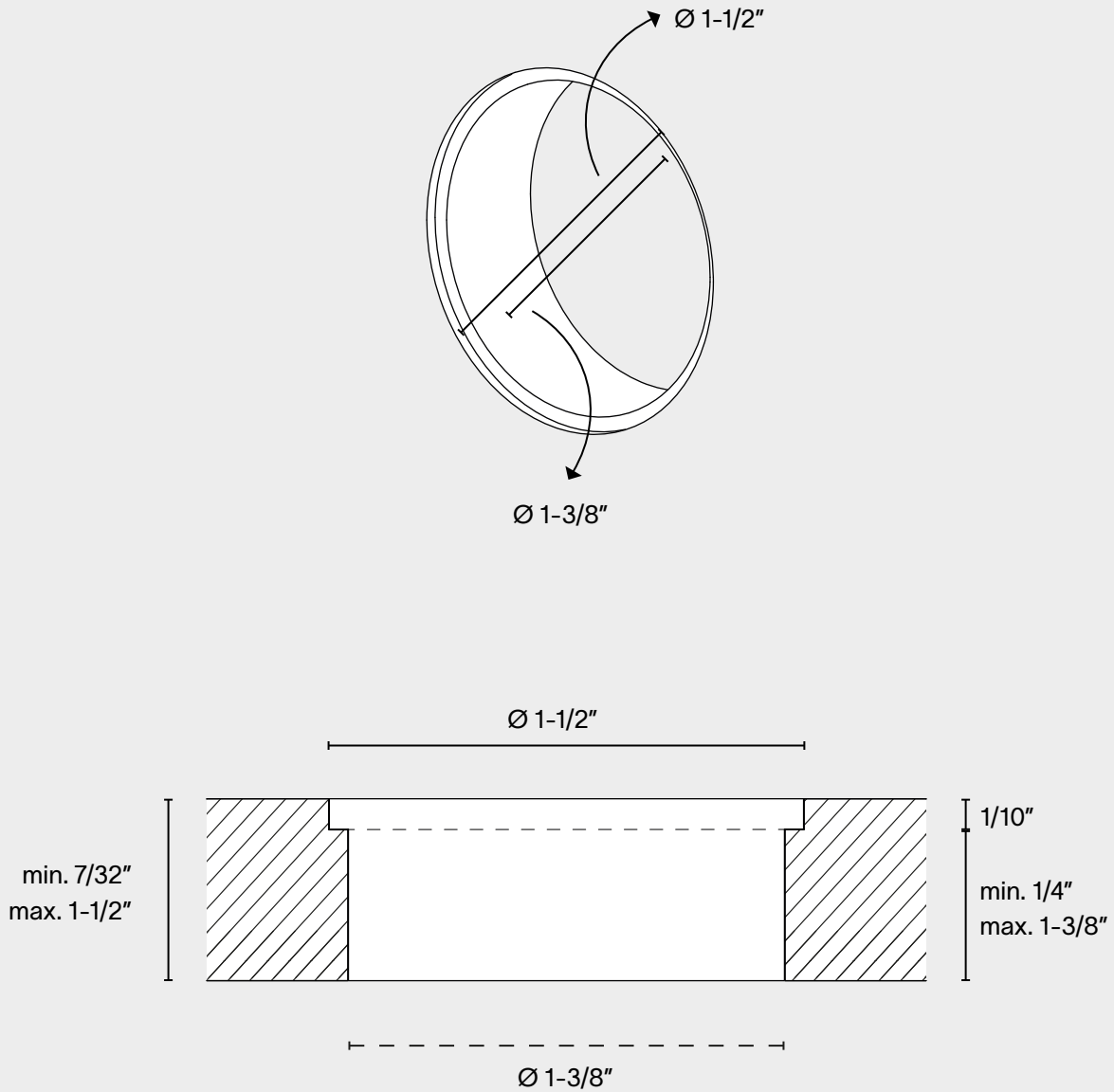
2

self-contained

Drill the installation hole and optional countersink.

3

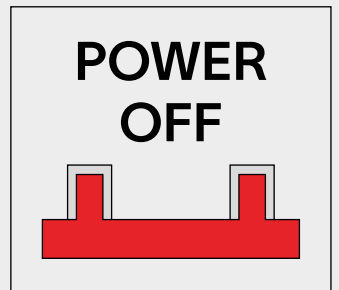
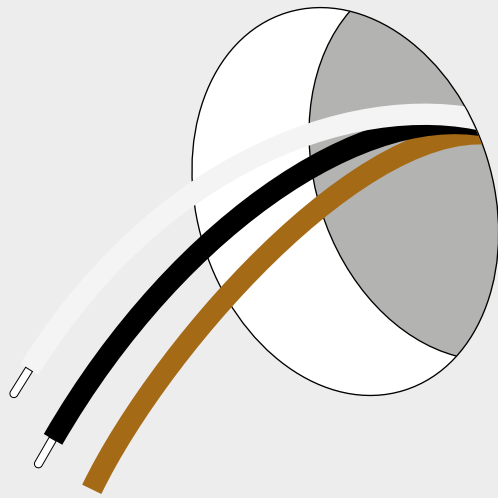
optional flush mount countersink



Flush mount countersink.

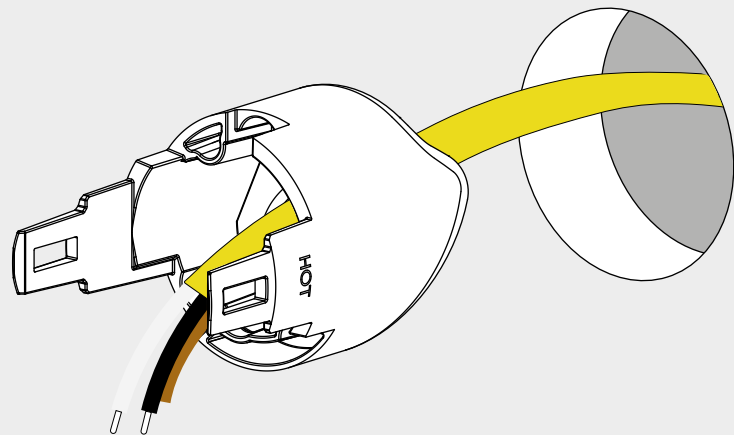
flush mount countersink guideline

4



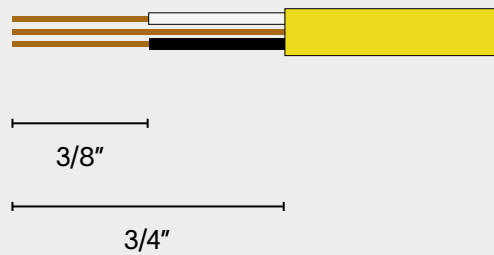
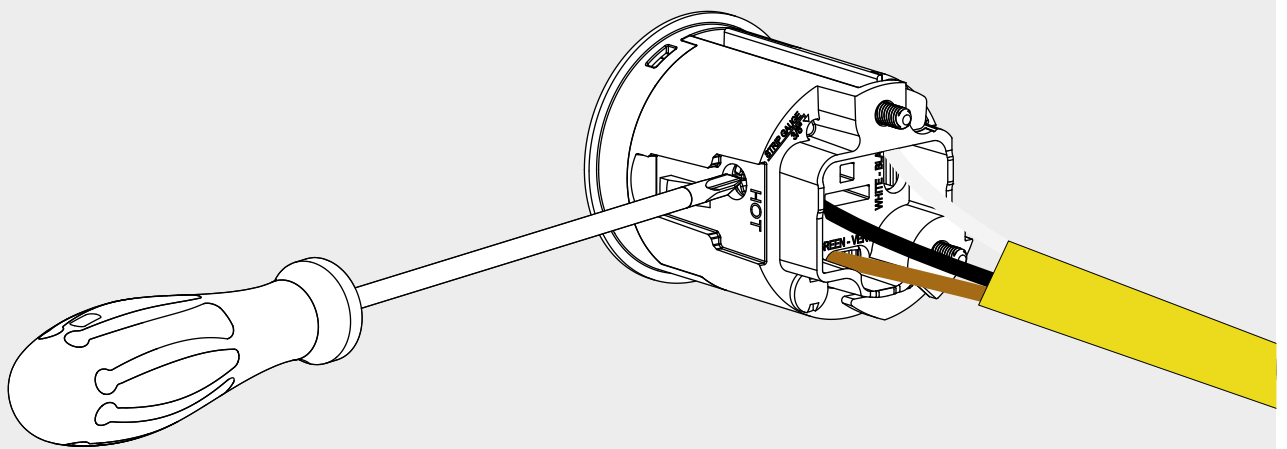
Turn the power off.

5



Slide the strain relief over the cable.

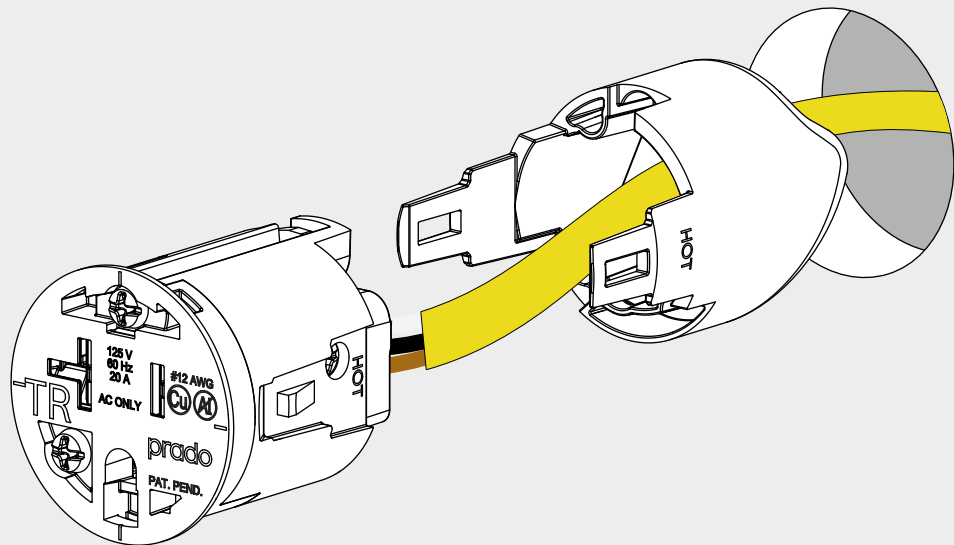
6



Make all necessary connections, make sure correct cable thickness is used:

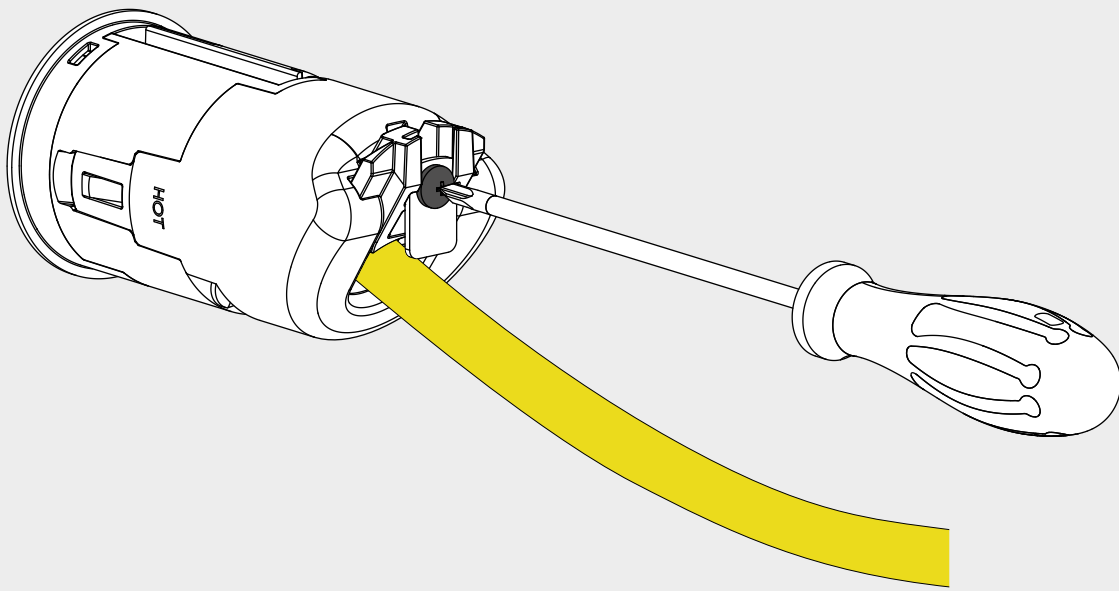
- 15A - 14 AWG
- 20A - 12 AWG

7



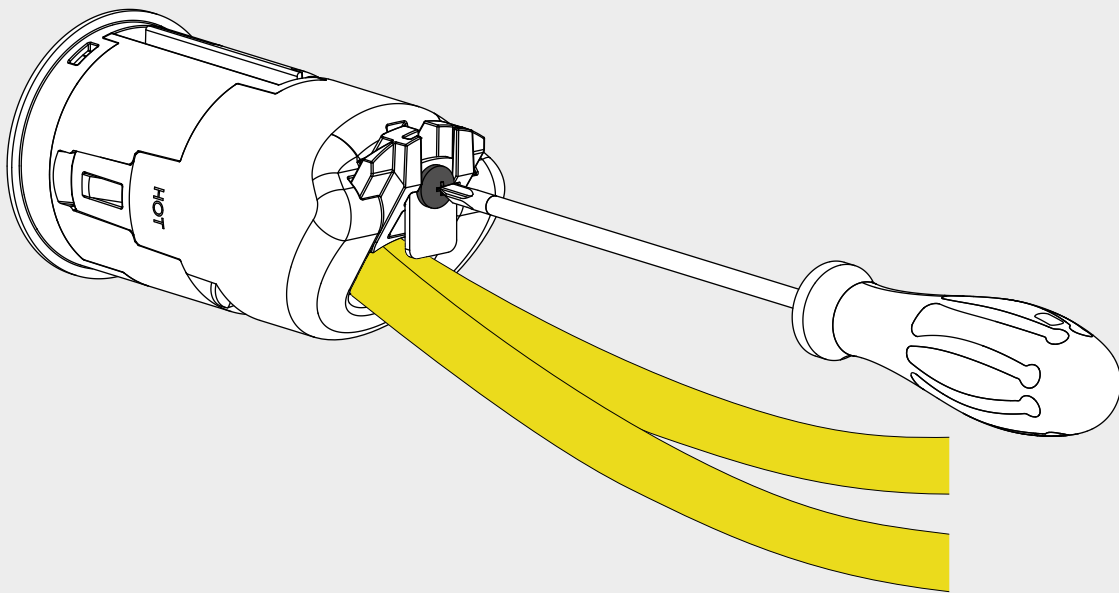
Click the strain relief on the outlet.

8



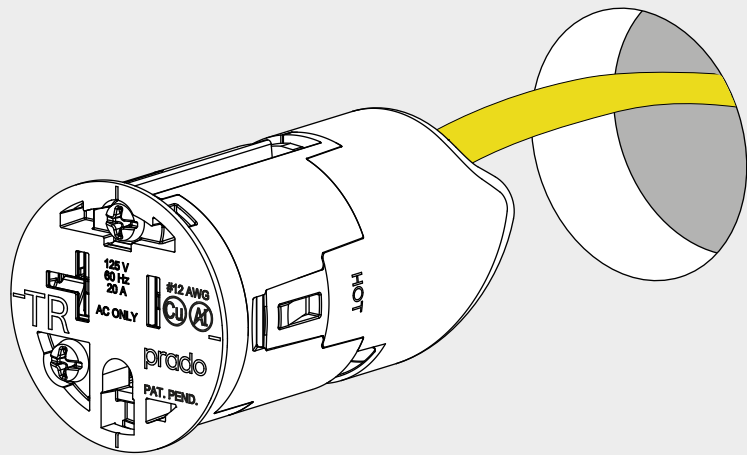
Tighten the strain relief.

9



Optional: daisy chaining.

10

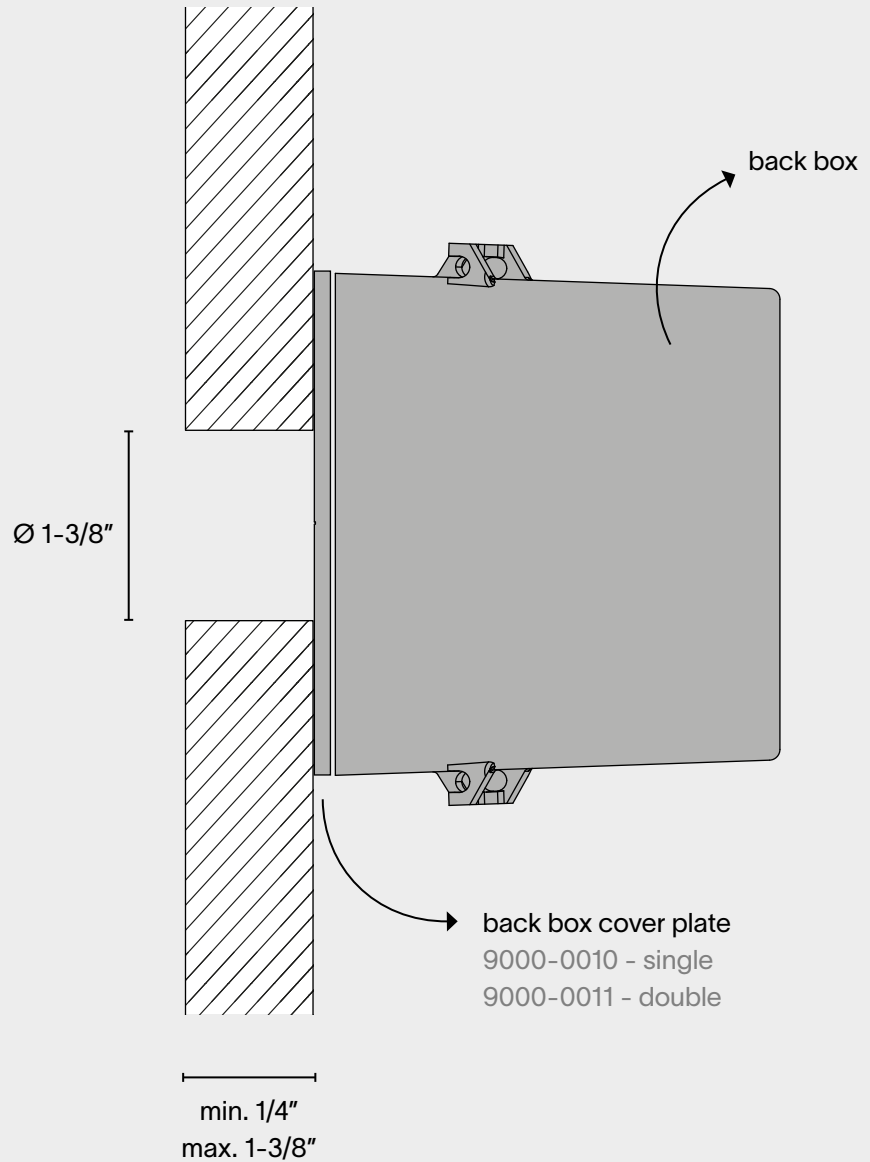


Insert the outlet in the hole and go to step 17.

[click here](#)

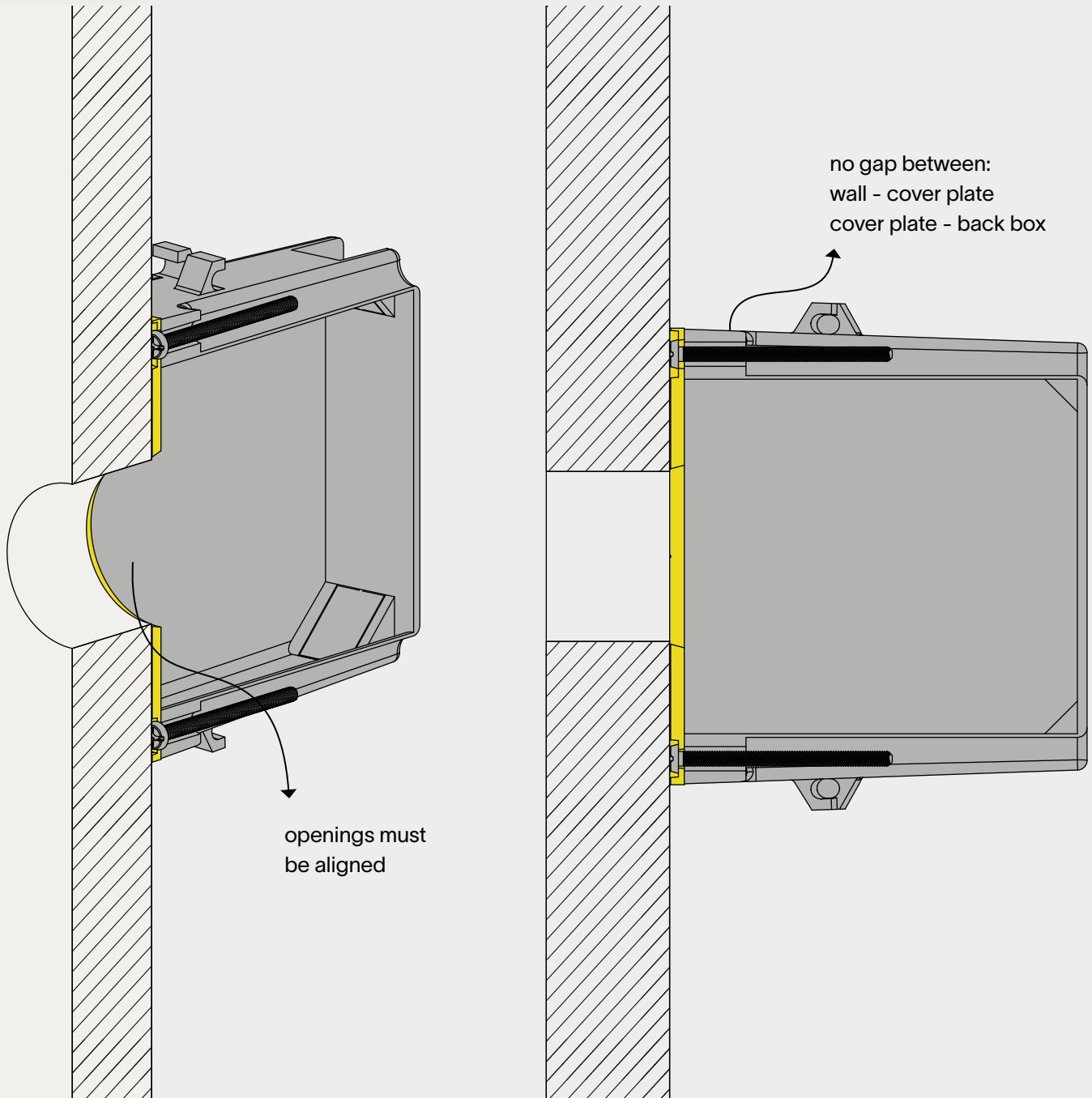
11

hardwired - with back box



Drill the installation hole and optional countersink.

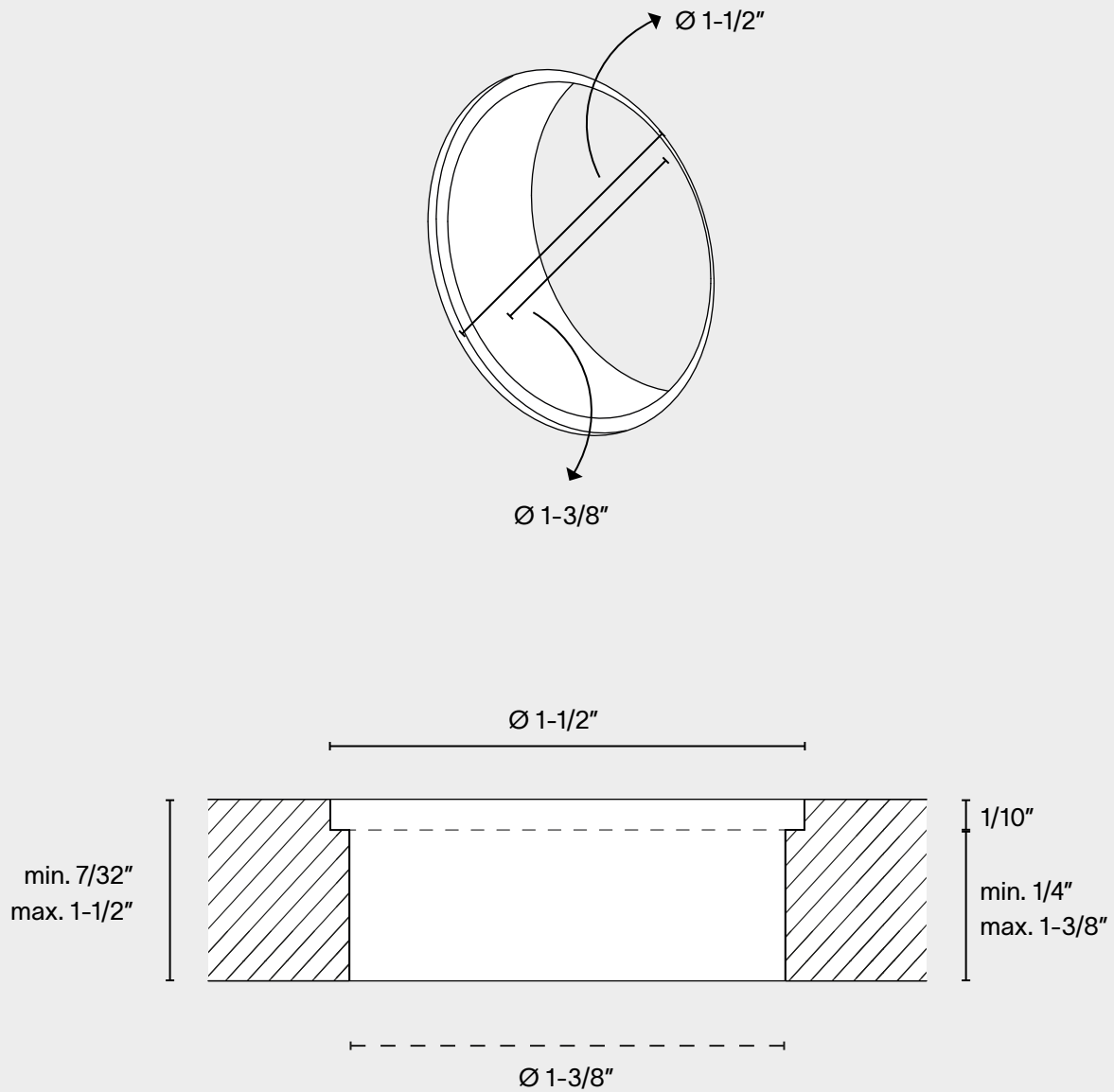
12



Install the back box cover plate and back box on the back of the wall. Make sure there are no gappings between the wall - cover plate - back box and the opening of the cover plate is aligned with the opening in the wall.

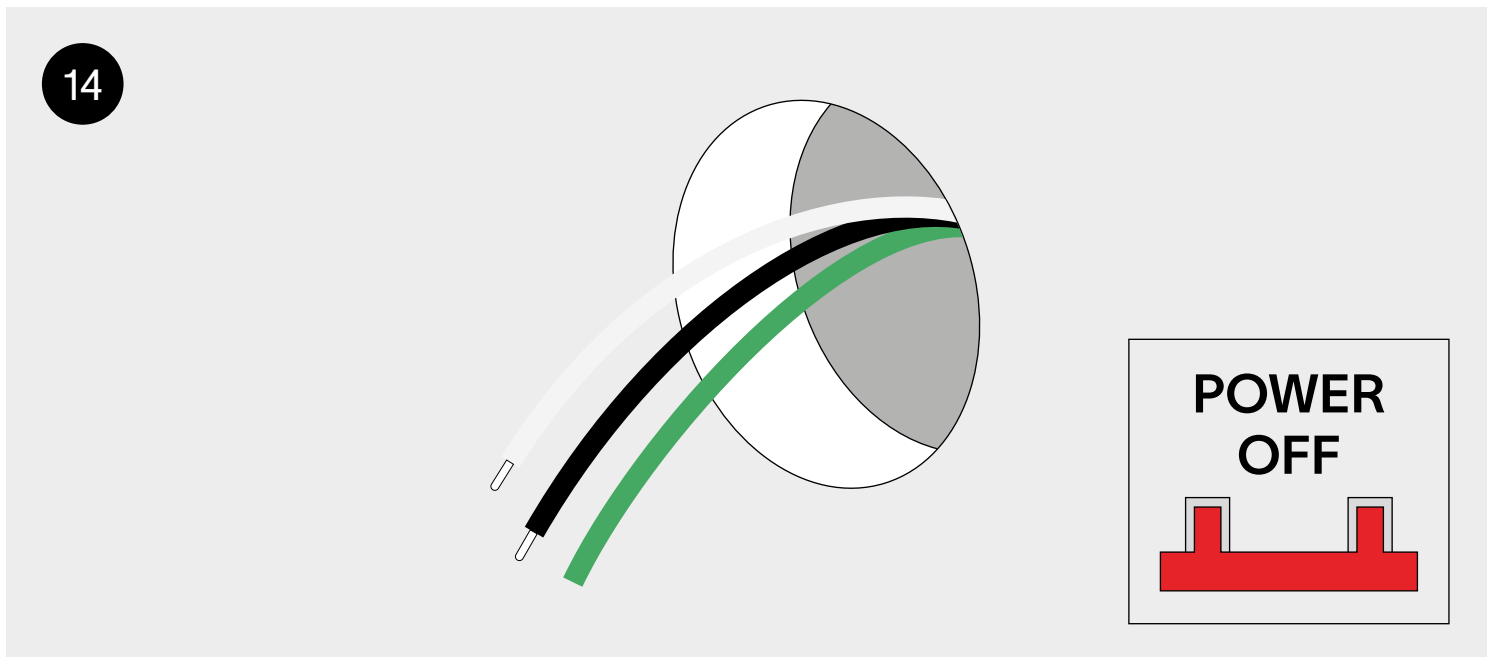
13

optional flush mount countersink



Flush mount countersink.

flush mount countersink guideline



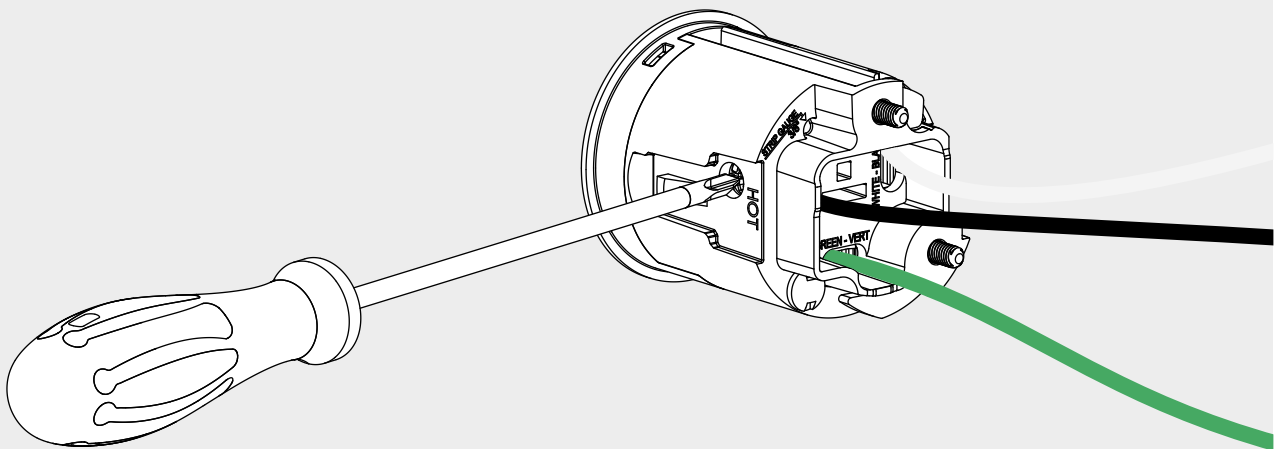
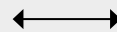
Turn the power off.

The branch circuit wiring that supplies each device consists of a separate cable assembly originating outside the box, or individual sets of conductors in a single raceway, all of which originate outside the box. Other than the connections to a single device, these conductors are not spliced in the box or continued to another device, and no other wiring or raceways enter the box.

For Metal Box Installations, during electrical installation:

1. Attach the equipment bonding conductor to the metal device box.
2. Secure the branch circuit's equipment grounding wire to the green grounding screw terminal of the electrical outlet.
3. Before installing the substrate, confirm that the green grounding screw remains visible when the receptacle is removed.

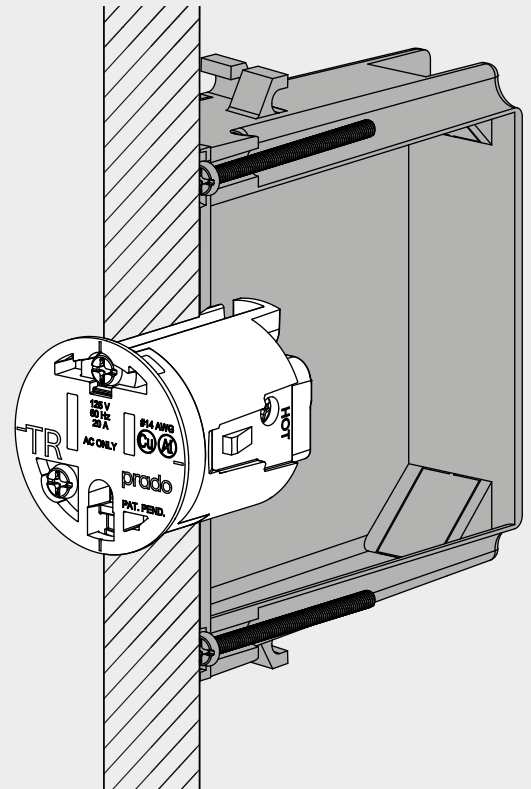
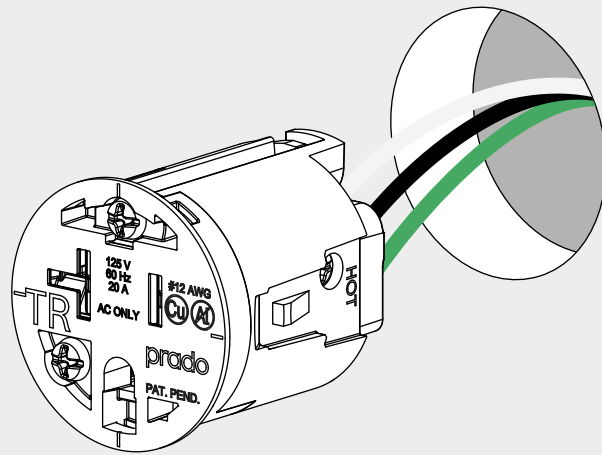
15

 $3/8''$ 

Make all necessary connections, make sure correct cable thickness is used:

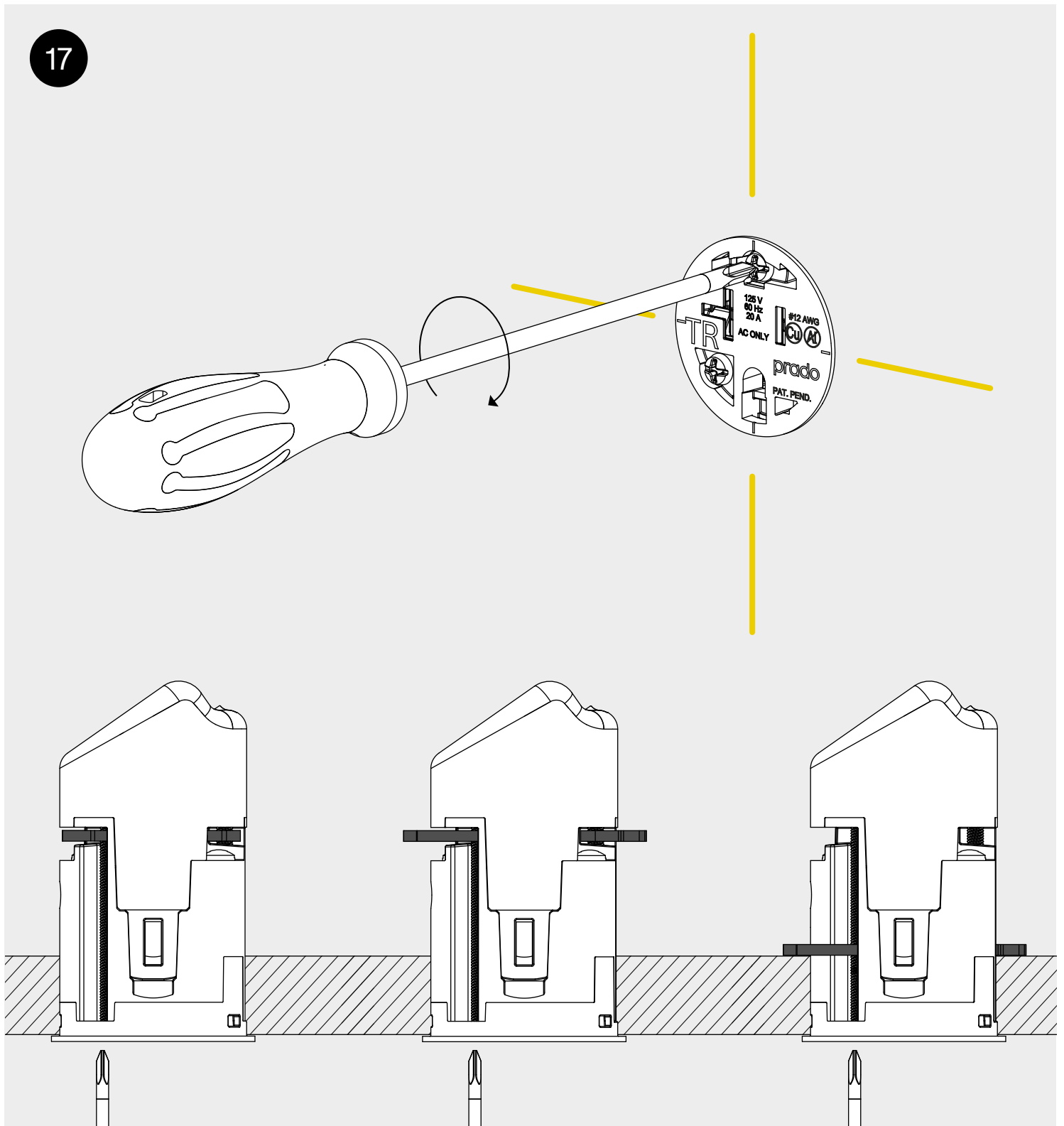
- 15A - 14 AWG
- 20A - 12 AWG

16



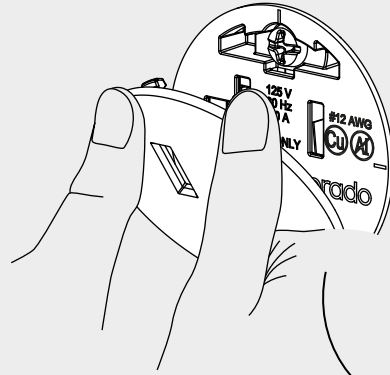
Insert the outlet in the hole and go to step 17.

[click here](#)

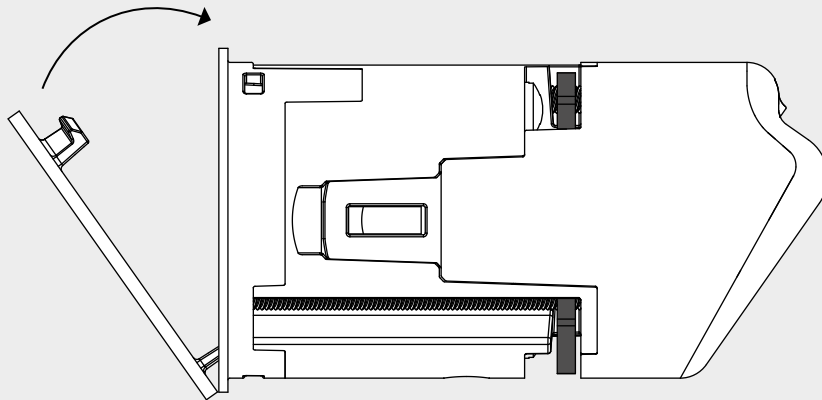


Level the outlet and fixate it by tightening the screws.

2

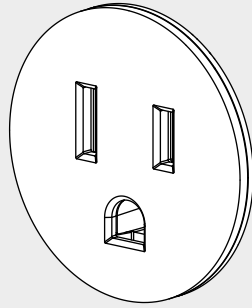


unifit cover plate sold separately

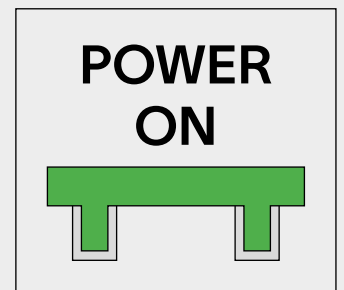
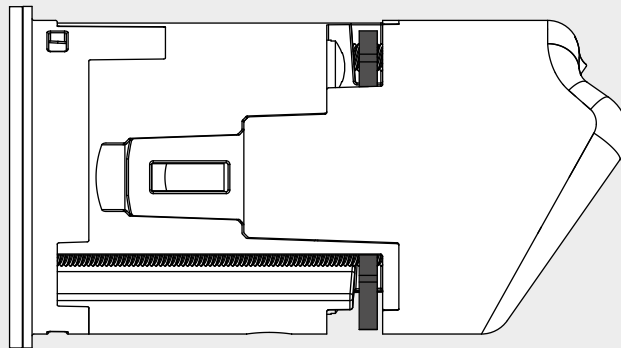


Install the cover plate.

19



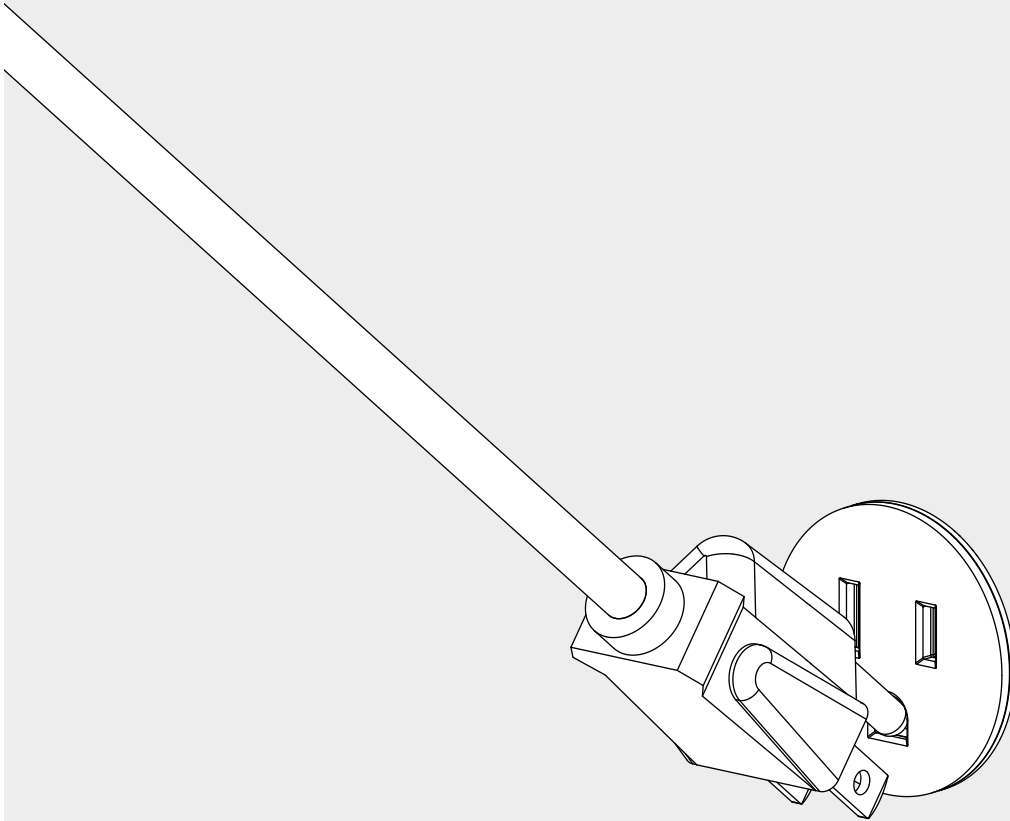
"click"



Turn the power back on.

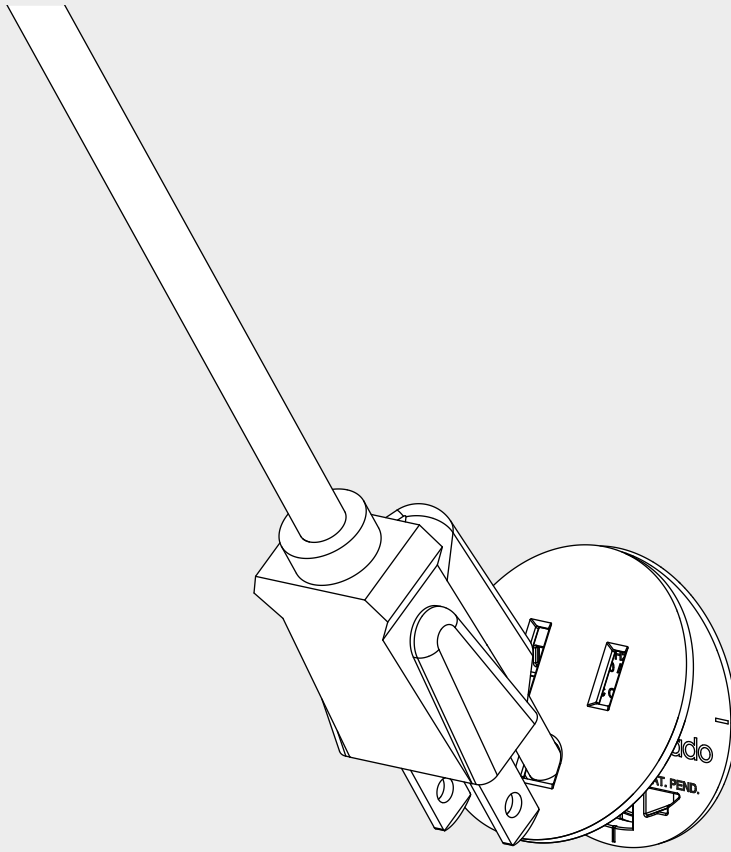
1

for removal

**POWER
OFF**

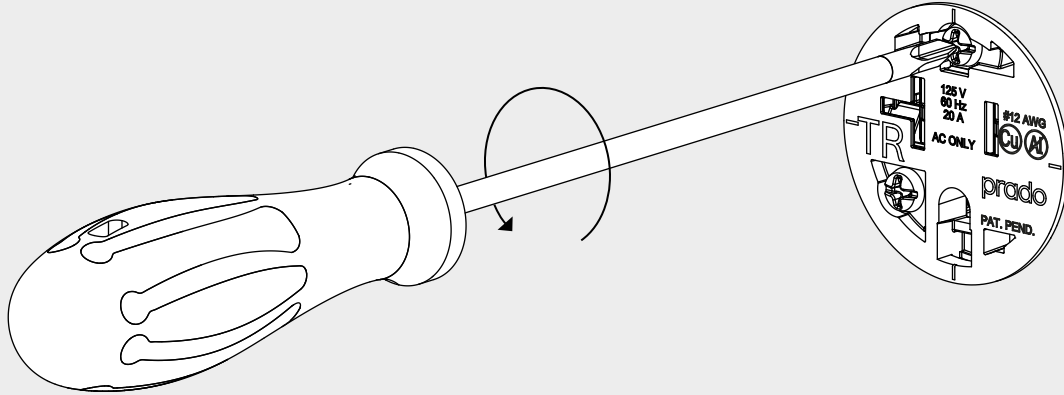
Turn the power off before removing the outlet.

2



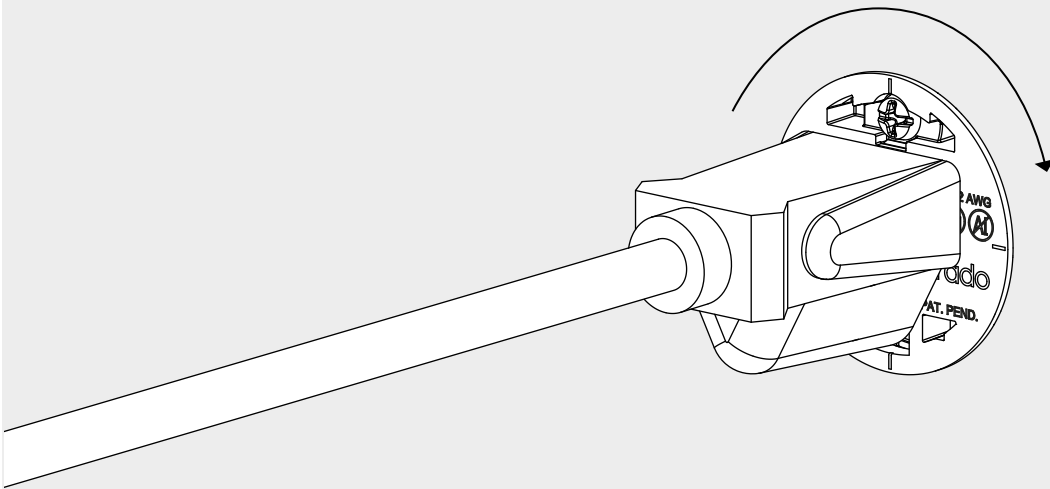
Click off the cover plate using a plug.

3



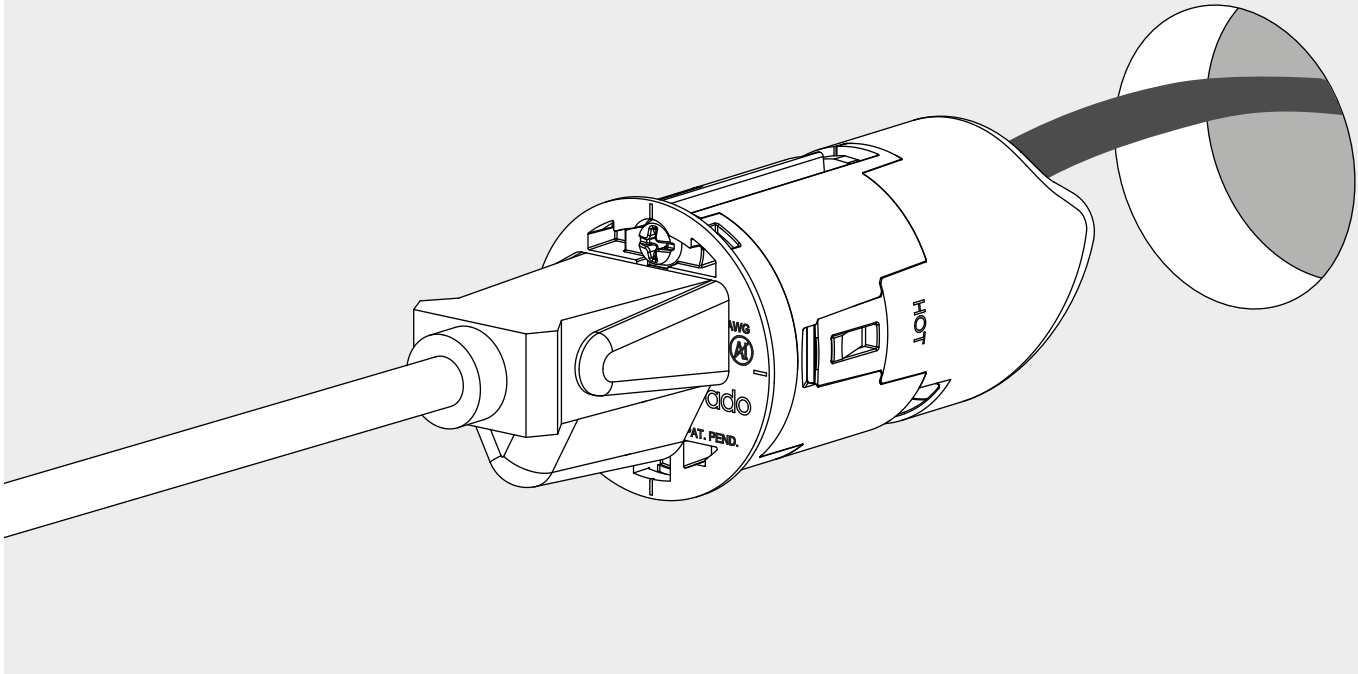
Loosen the screws.

4



Remove the outlet by using a plug and twisting clockwise.

5



Remove the outlet.

thank you for choosing prado



CONFORMS TO UL STD. 498
CERTIFIED TO CSA STD. C22.2#42

prado.com

support@prado.com - Prado America LLC

Installation must be done by skilled professionals only and instructions must be followed at all times. Warranty will not apply in case of wrongful use or if unskilled personnel attempts to repair a product.