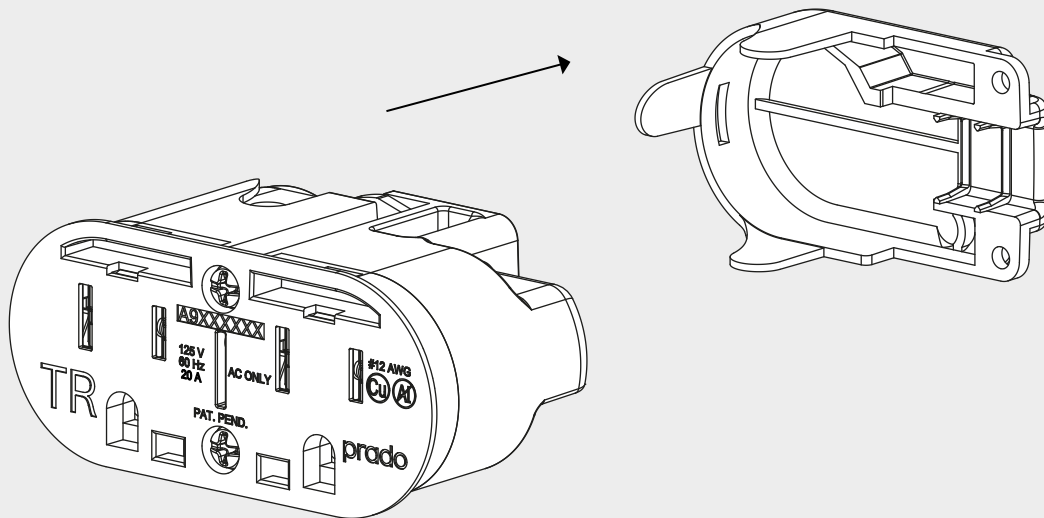


unifit outlet | duplex

installation instruction

1



Remove the strain relief.

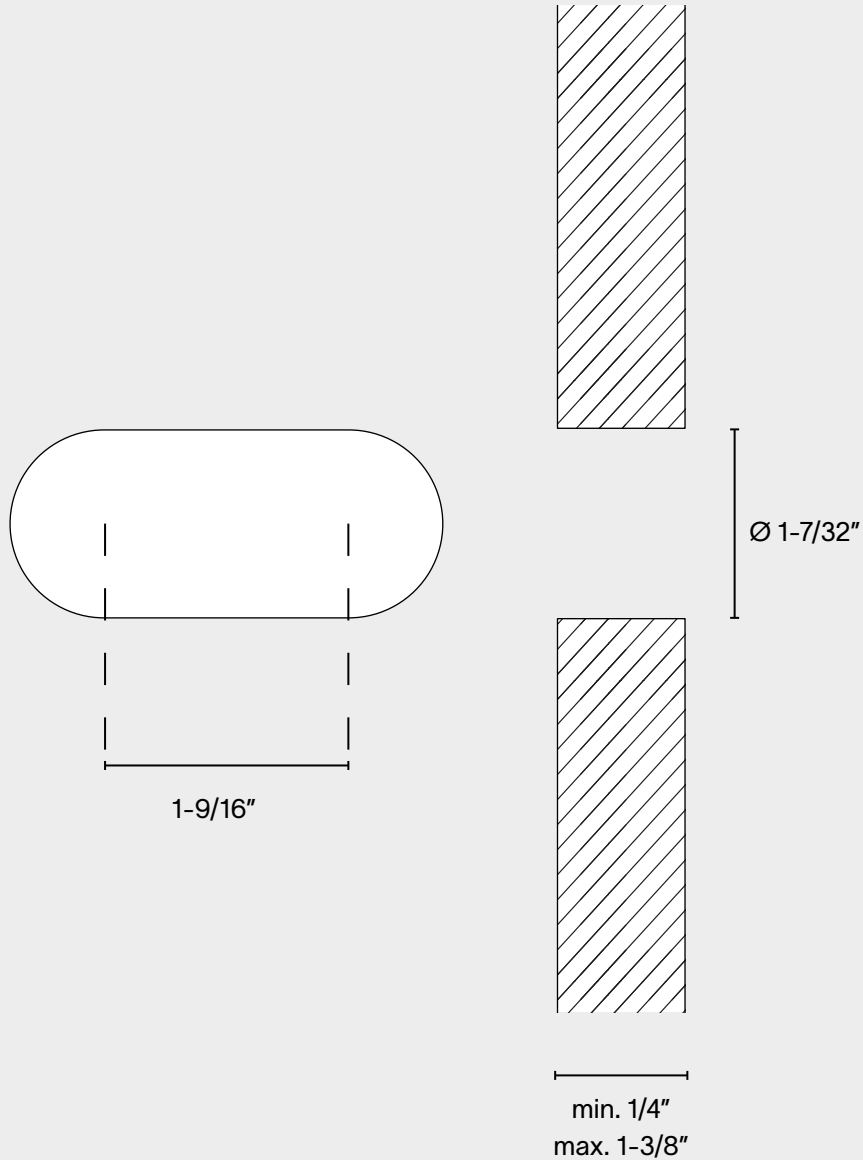
for **self contained** go to page 3 ([click here](#))

for **hardwired - with back box** go to page 10 ([click here](#))

for **removal** go to page 18 ([click here](#))

2

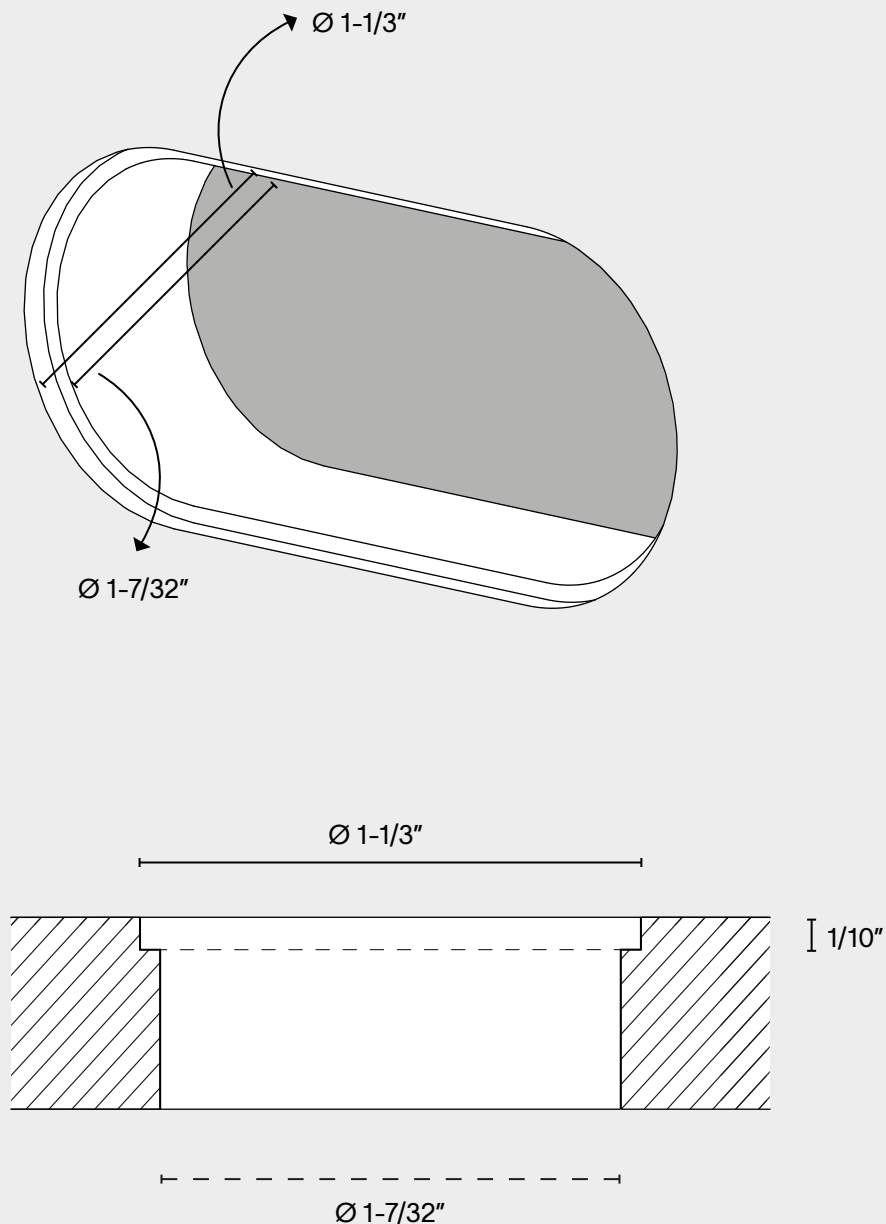
self-contained



Mill the installation hole. We recommend using a CNC waterjet or laser to create the cut-out. Hand cutting may lead to undesired results.

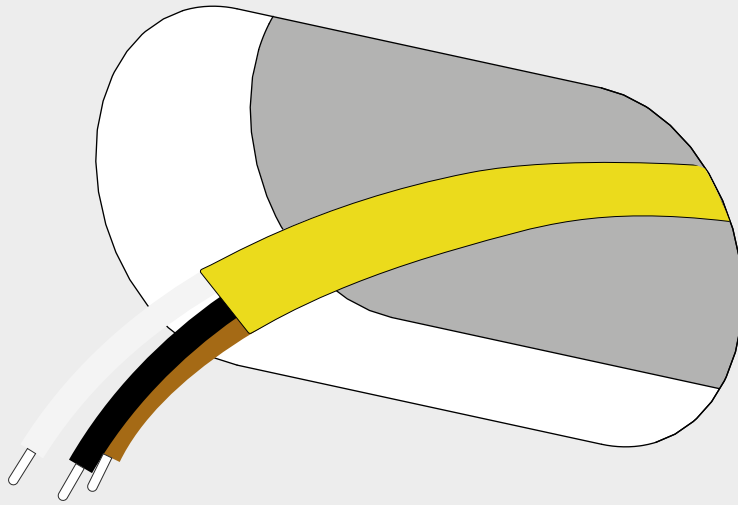
3

optional flush mount countersink



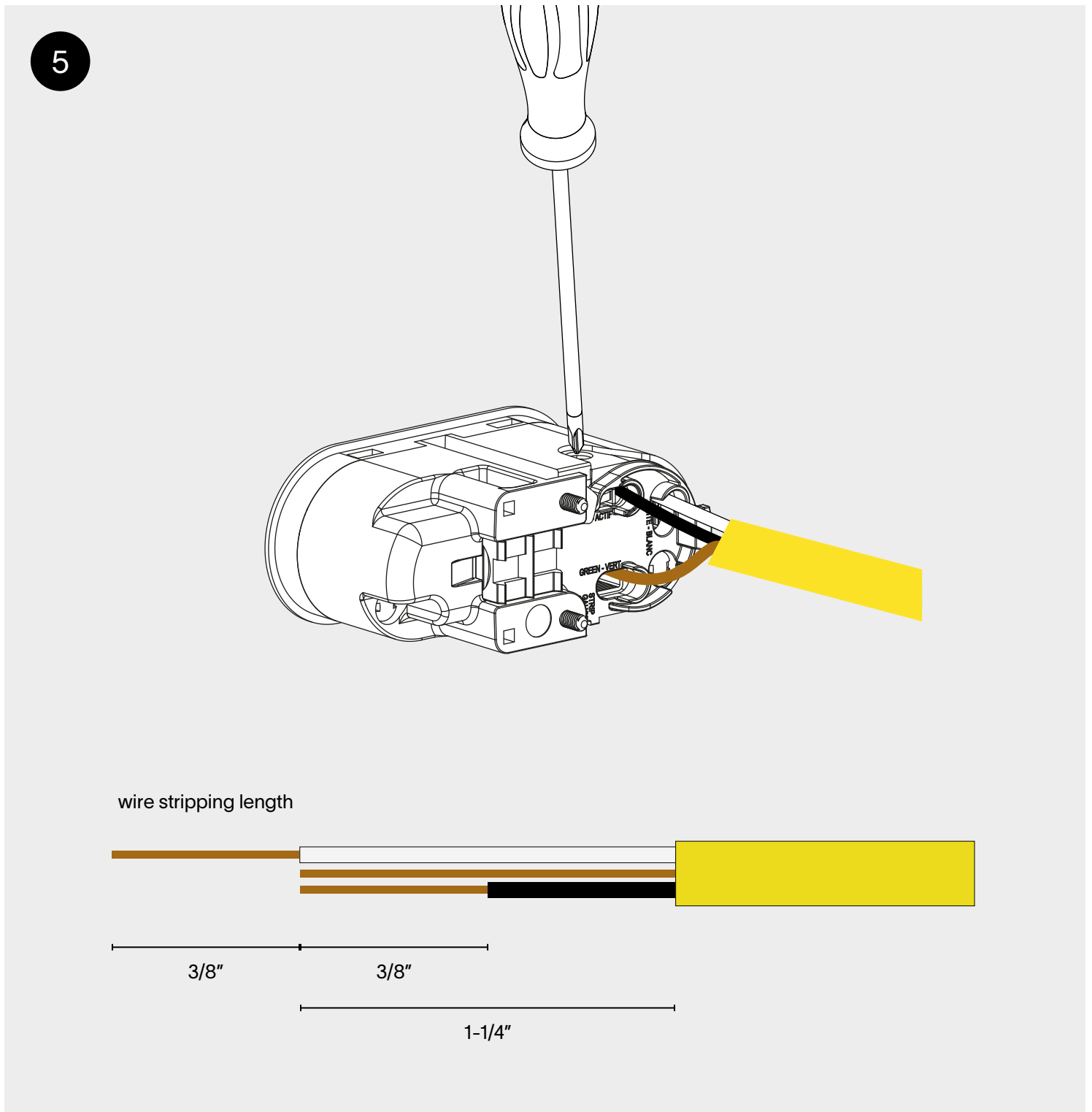
Flush mount countersink. Use a CNC machine to make the countersink hole. Alternatively, for wood you can use a $1/16''$ rabbeting router bit.

4



**POWER
OFF**

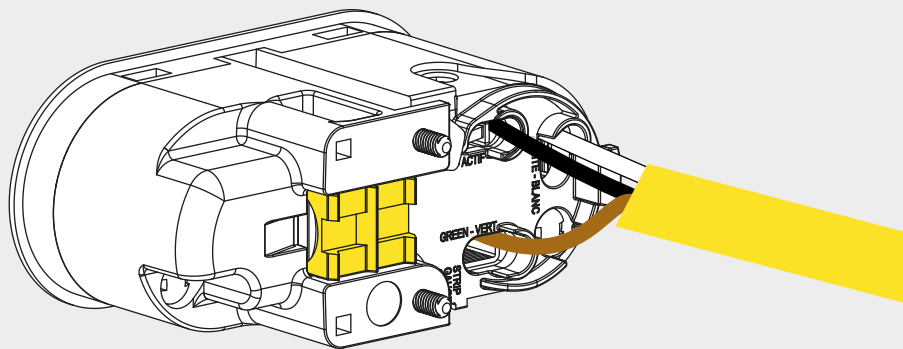
Turn the power off.



Make all necessary connections, make sure correct cable thickness is used:

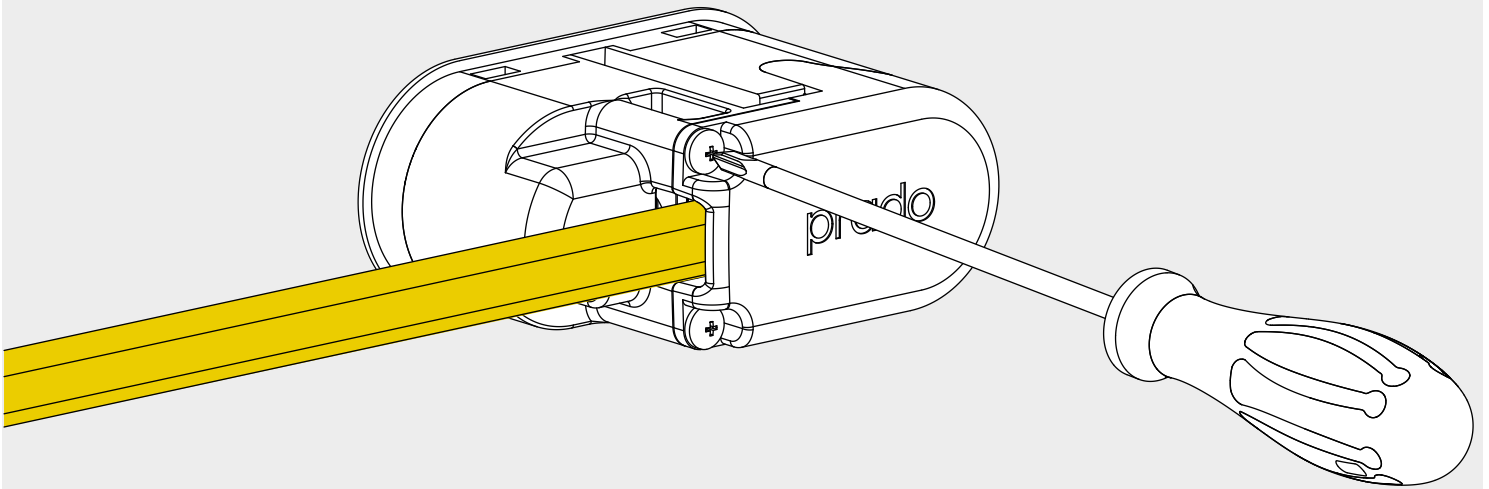
- 15A - 14 AWG
- 20A - 12 AWG

6



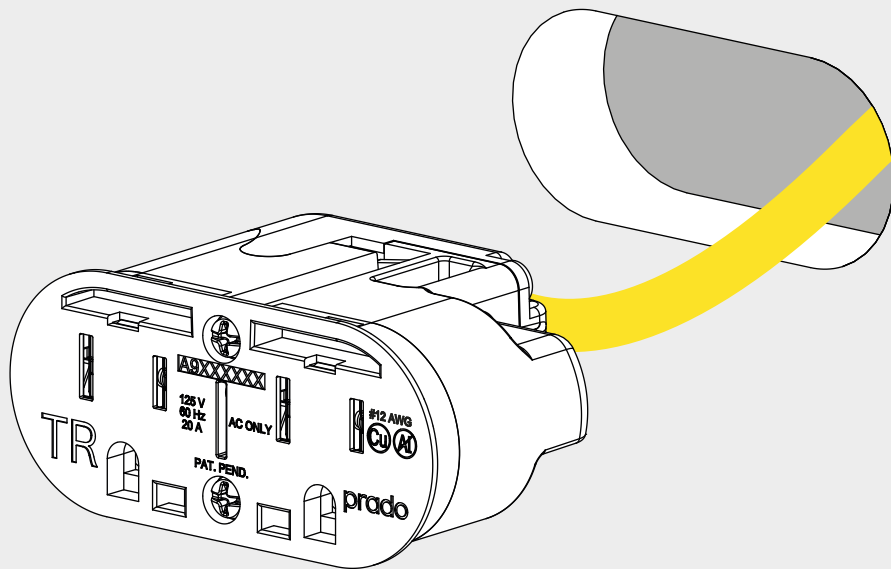
Use the appropriate side of the strain relief depending on the used cable. For daisy chaining remove this part.

7



Fasten the strain relief.

8

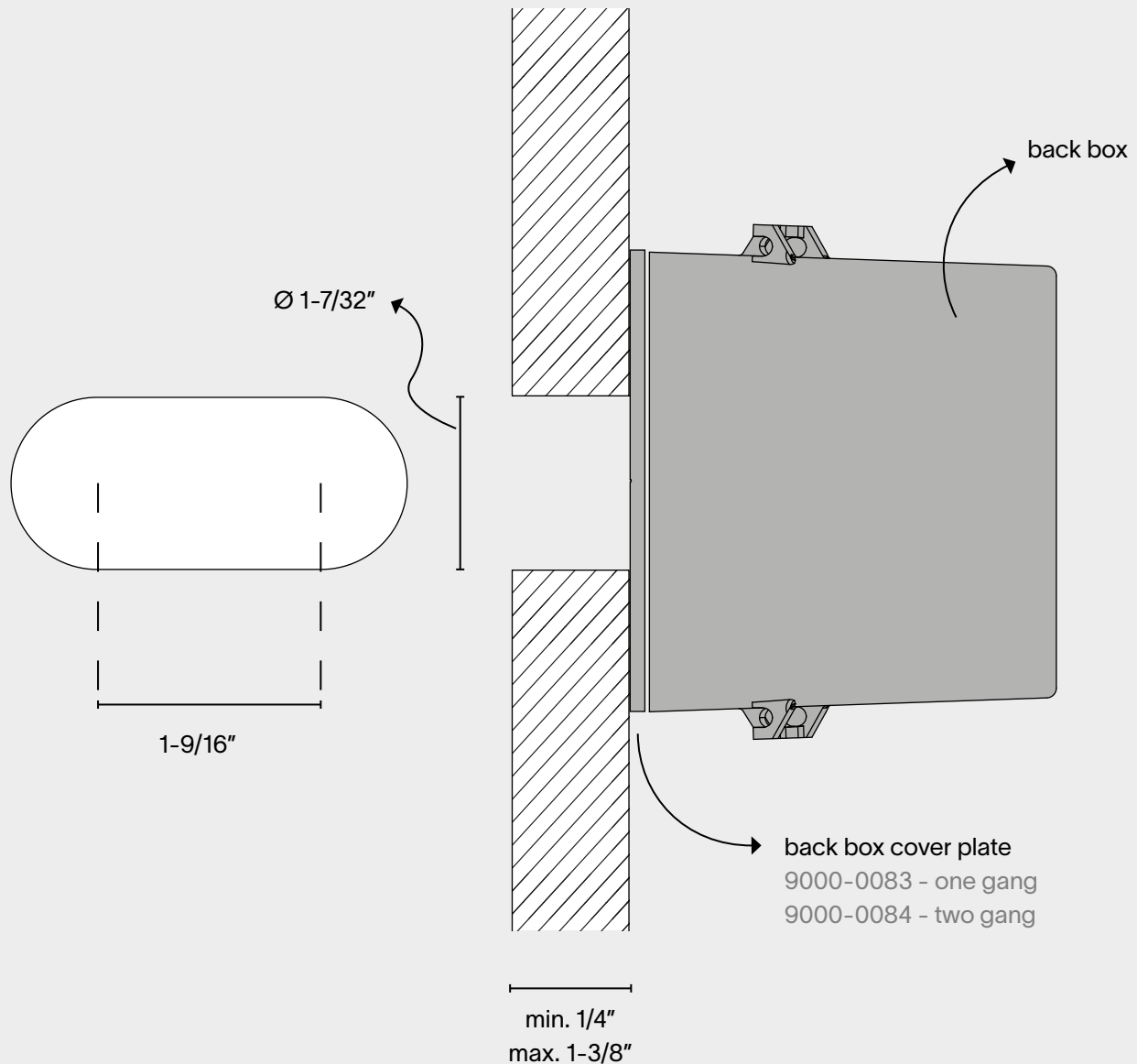


Insert the outlet in the hole and go to step 14.

[click here](#)

9

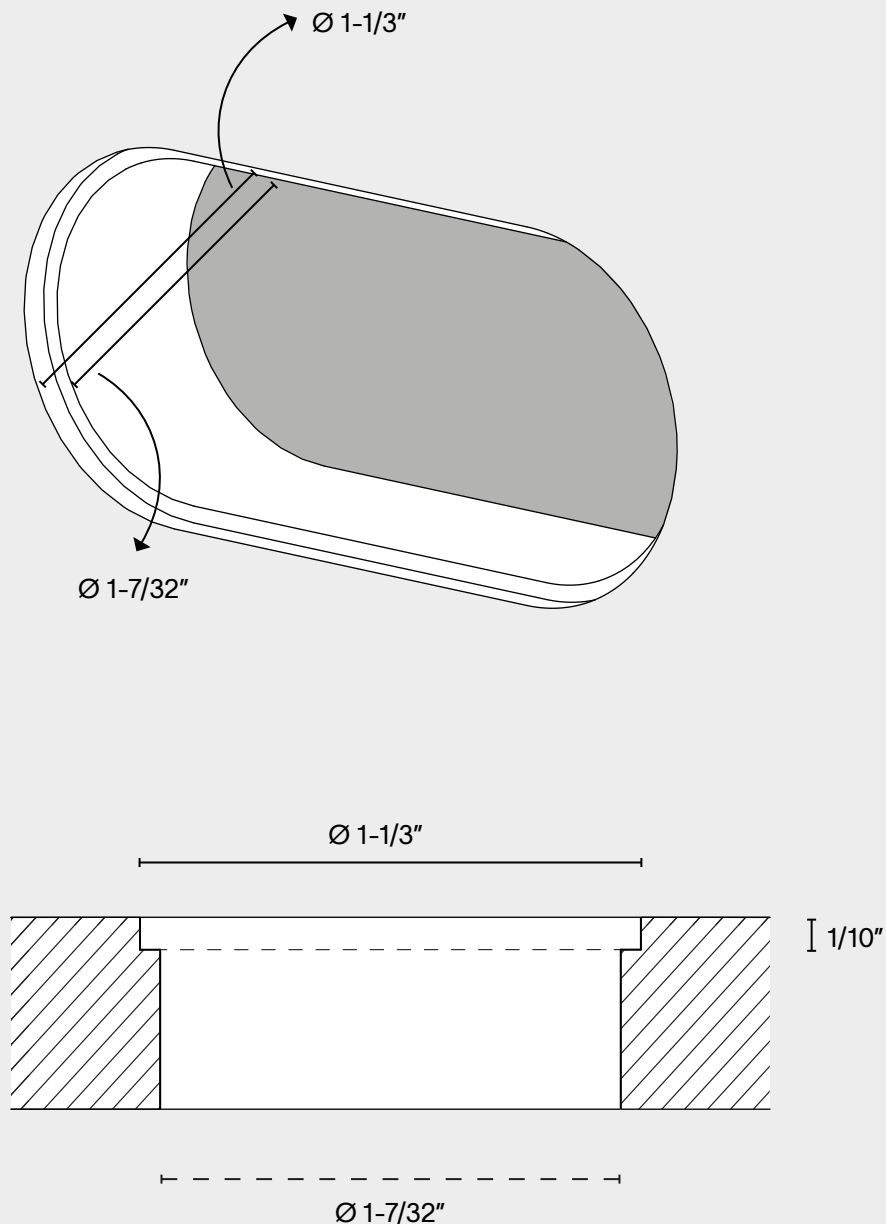
hardwired - with back box



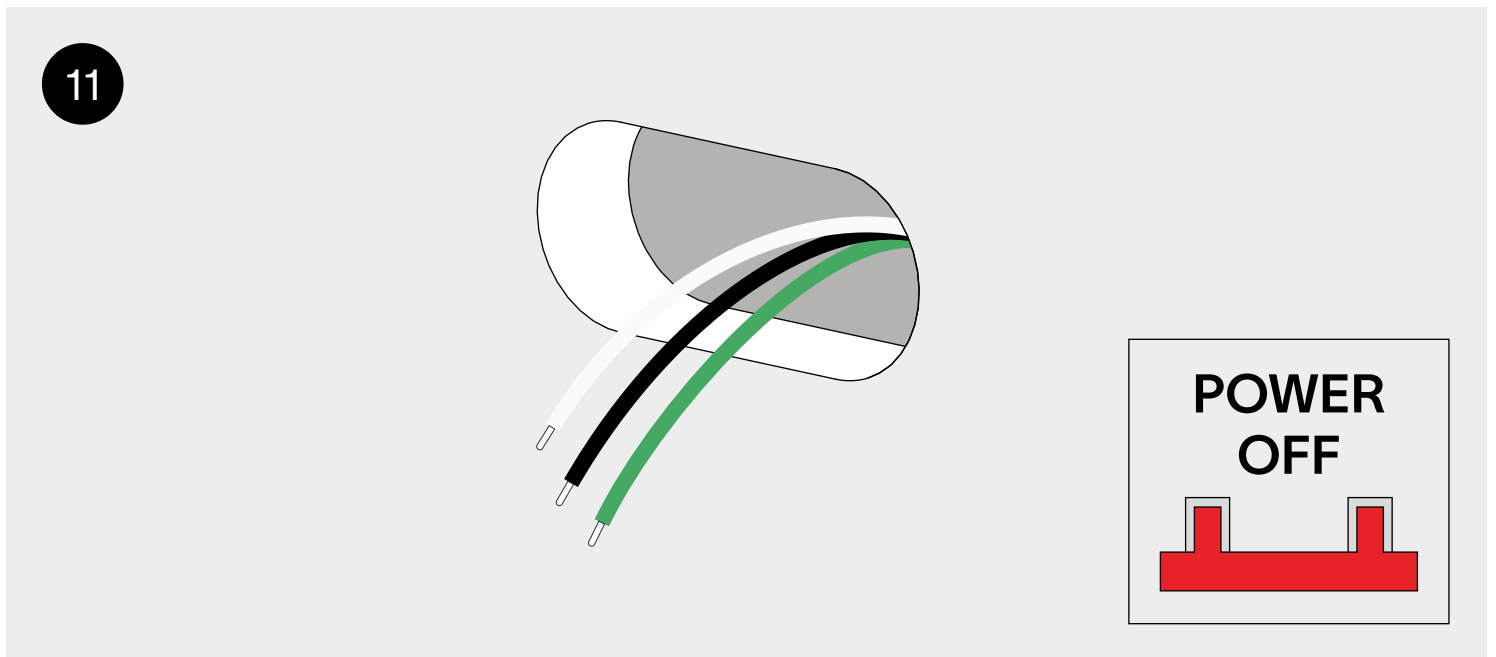
Mill the installation hole. We recommend using a CNC, waterjet or laser to create the cut-out. Hand cutting may lead to undesired results.

10

optional flush mount countersink



Flush mount countersink. Use a CNC machine to make the countersink hole. Alternatively, for wood you can use a $1/16''$ rabbeting router bit.



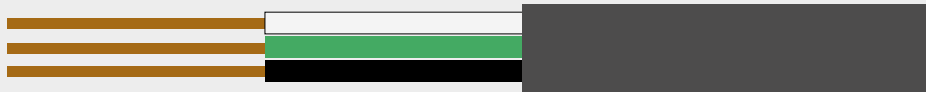
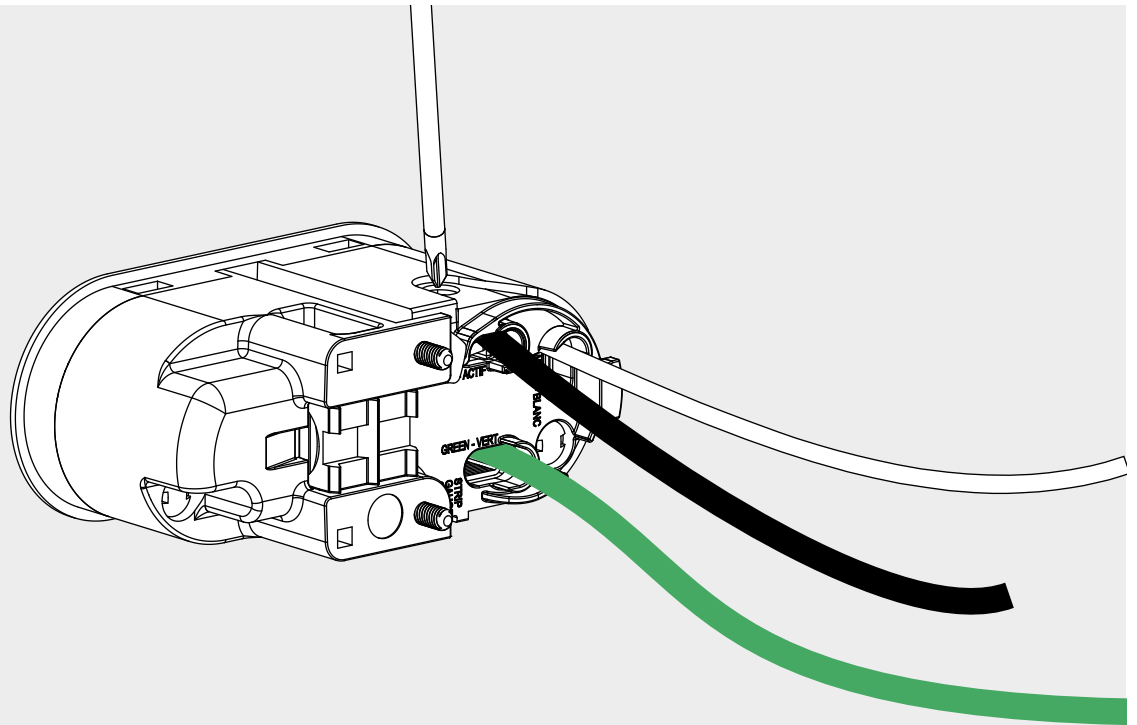
Turn the power off.

The branch circuit wiring that supplies each device consists of a separate cable assembly originating outside the box, or individual sets of conductors in a single raceway, all of which originate outside the box. Other than the connections to a single device, these conductors are not spliced in the box or continued to another device, and no other wiring or raceways enter the box.

For Metal Box Installations, during electrical installation:

1. Attach the equipment bonding conductor to the metal device box.
2. Secure the branch circuit's equipment grounding wire to the green grounding screw terminal of the electrical outlet.
3. Before installing the substrate, confirm that the green grounding screw remains visible when the receptacle is removed.

12



wire stripping length

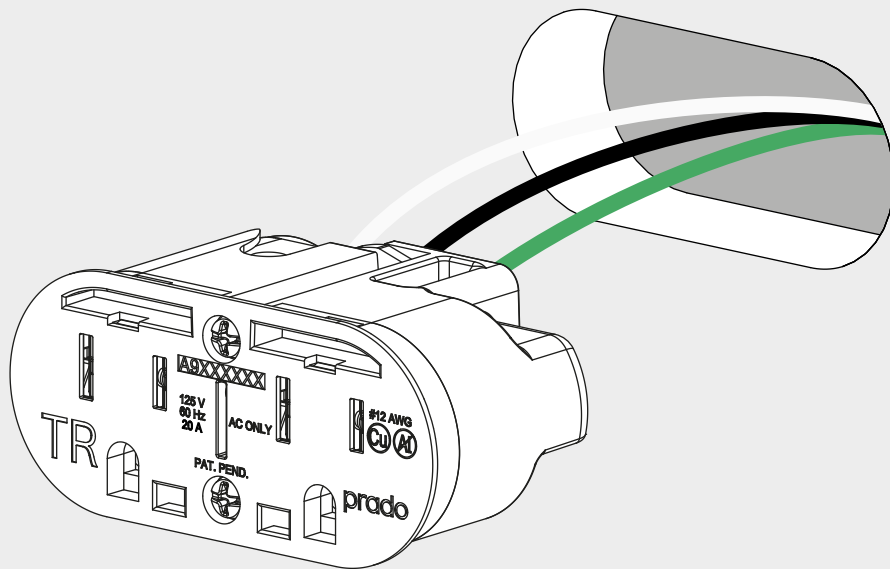
3/8"

1-1/4"

Make all necessary connections, make sure correct cable thickness is used:

- 15A - 14 AWG
- 20A - 12 AWG

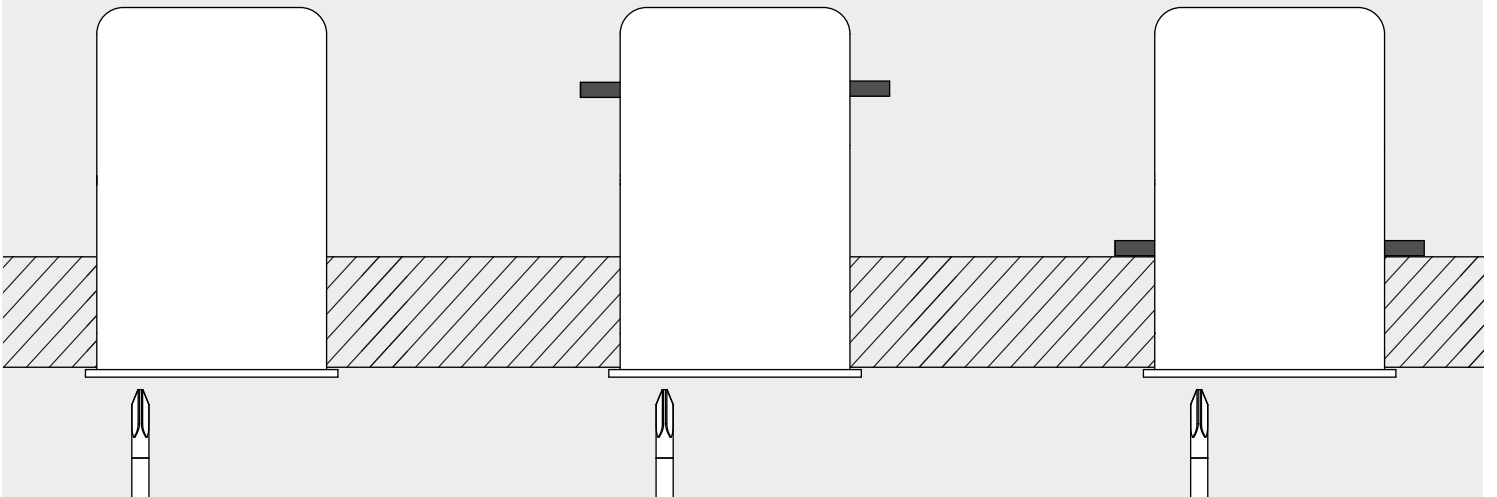
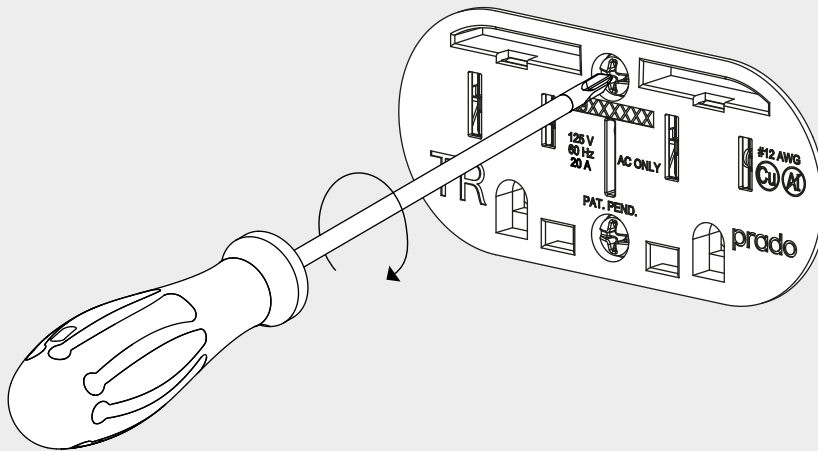
13



Insert the outlet in the hole and go to step 14.

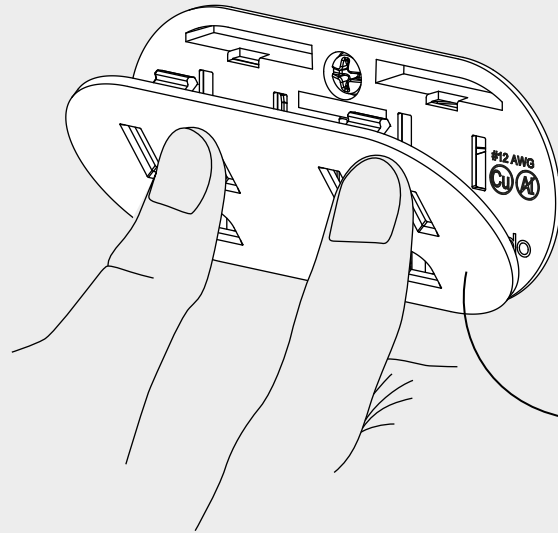
[click here](#)

14

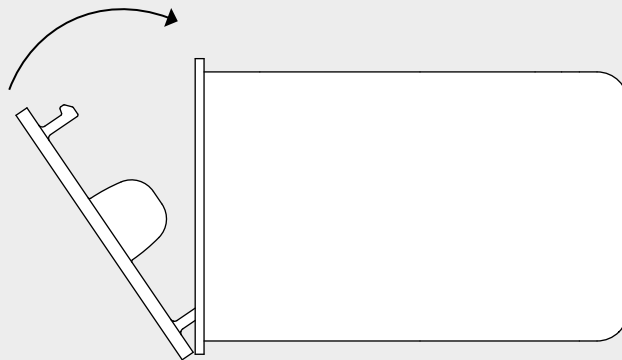


Fixate the outlet by tightening the screws.

15

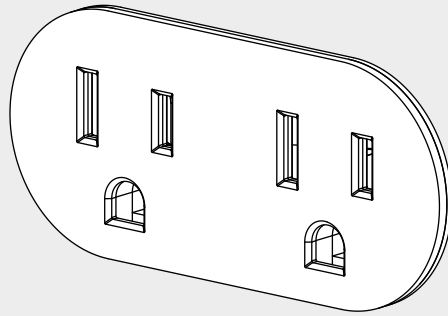


unifit cover plate sold separately

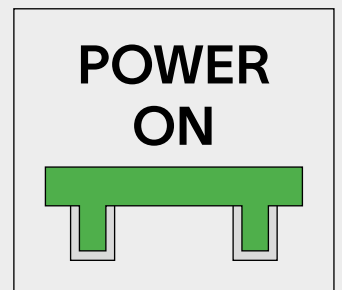


Install the cover plate.

16



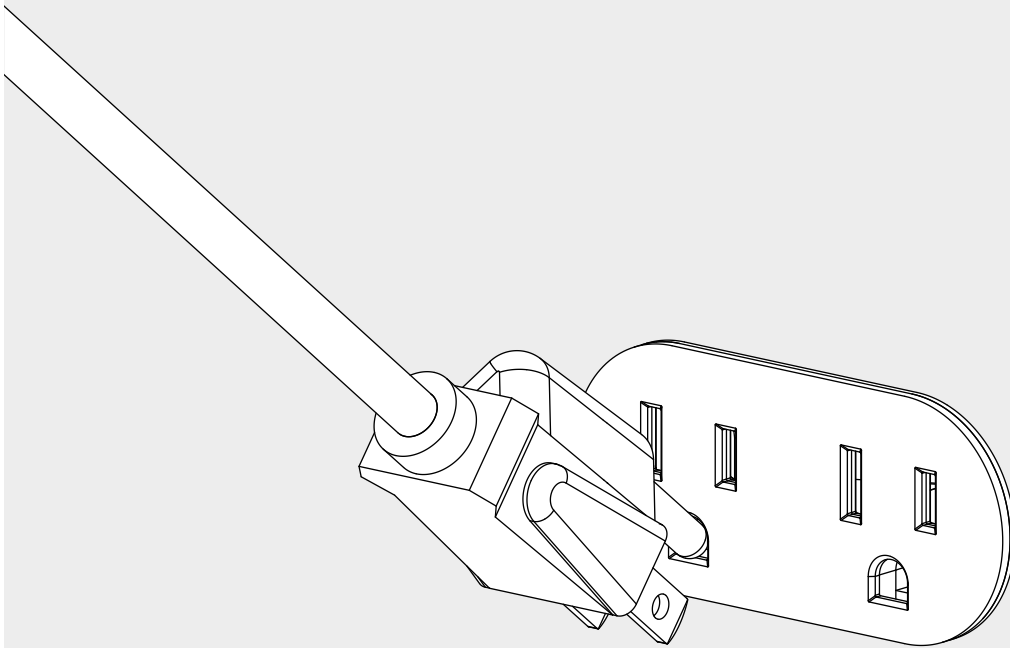
"click"



Turn the power back on.

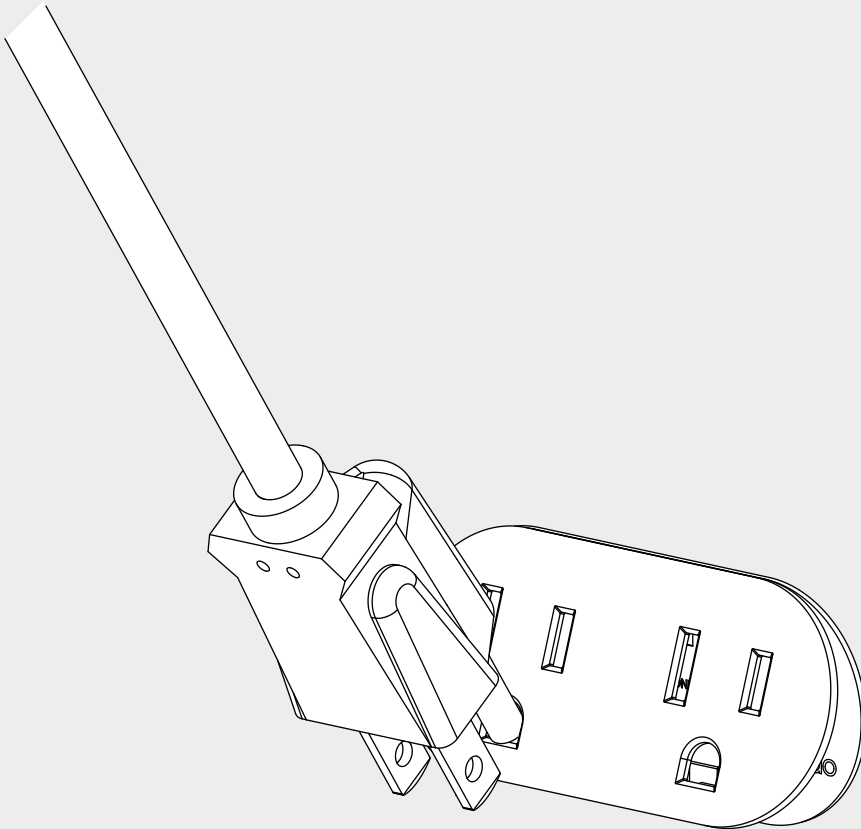
1

for removal

**POWER
OFF**

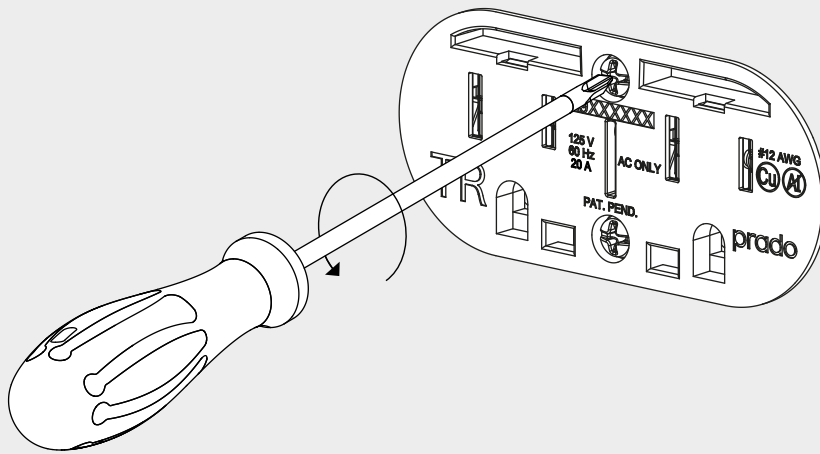
Turn the power off before removing the outlet.

2



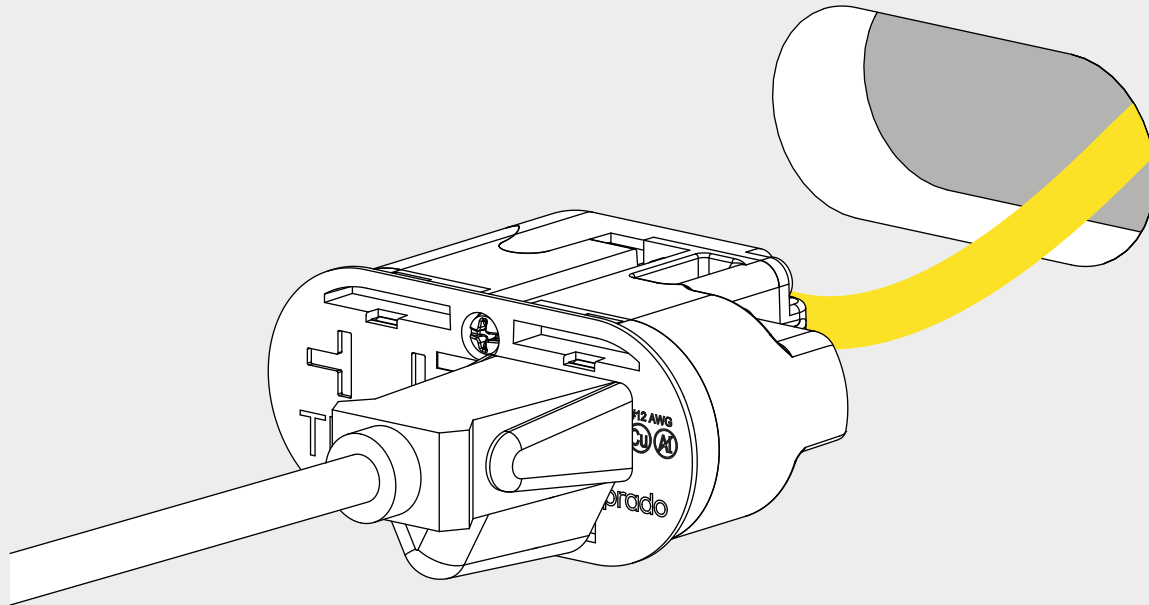
Click off the cover plate using a plug.

3



Loosen the screws.

4



Remove the outlet by using a plug.

thank you for choosing prado



CONFORMS TO UL STD. 498
CERTIFIED TO CSA STD. C22.2#42

prado.com

support@prado.com - Prado America LLC

Installation must be done by skilled professionals only and instructions must be followed at all times. Warranty will not apply in case of wrongful use or if unskilled personnel attempts to repair a product.