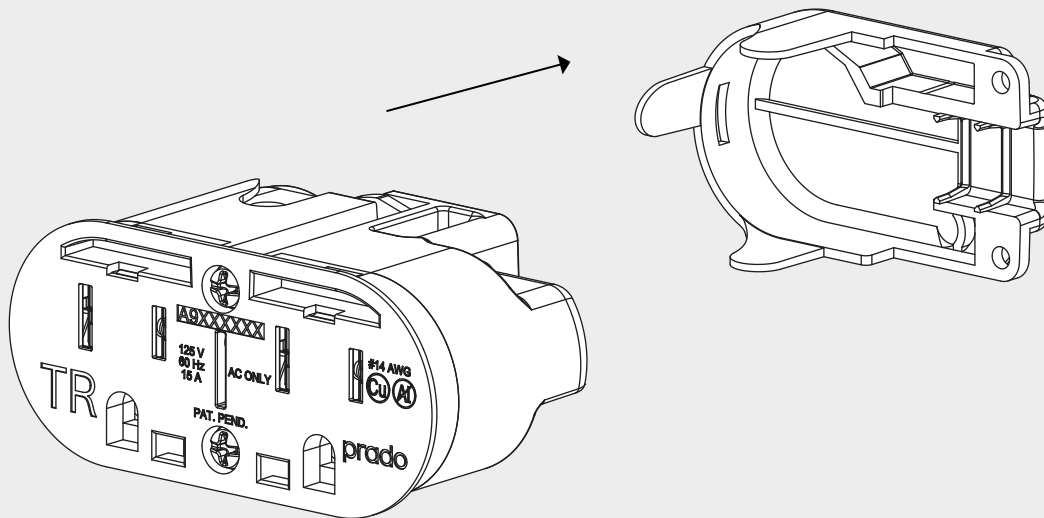


unifit outlet duplex corded

installation instruction

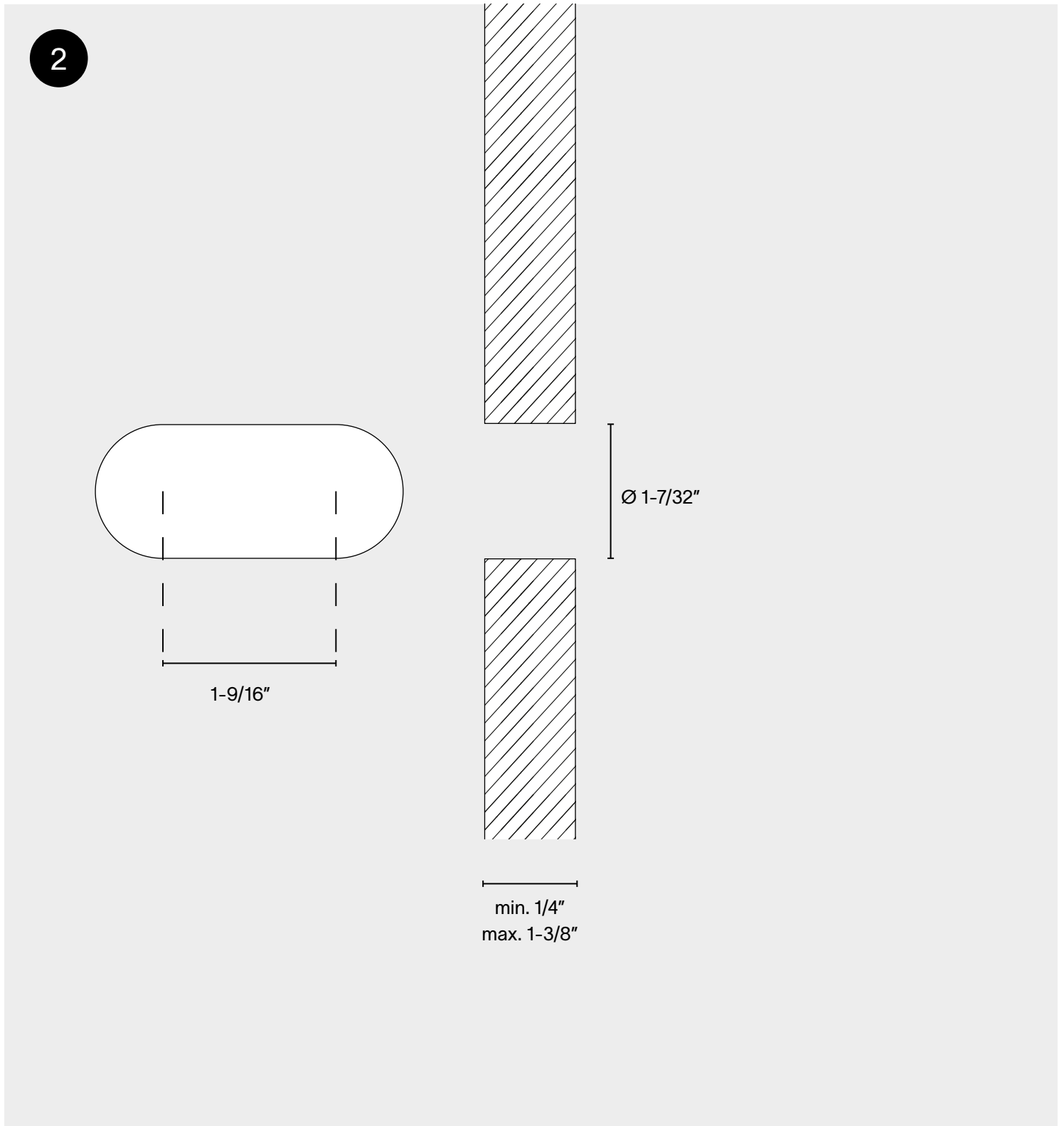
1



**POWER
OFF**



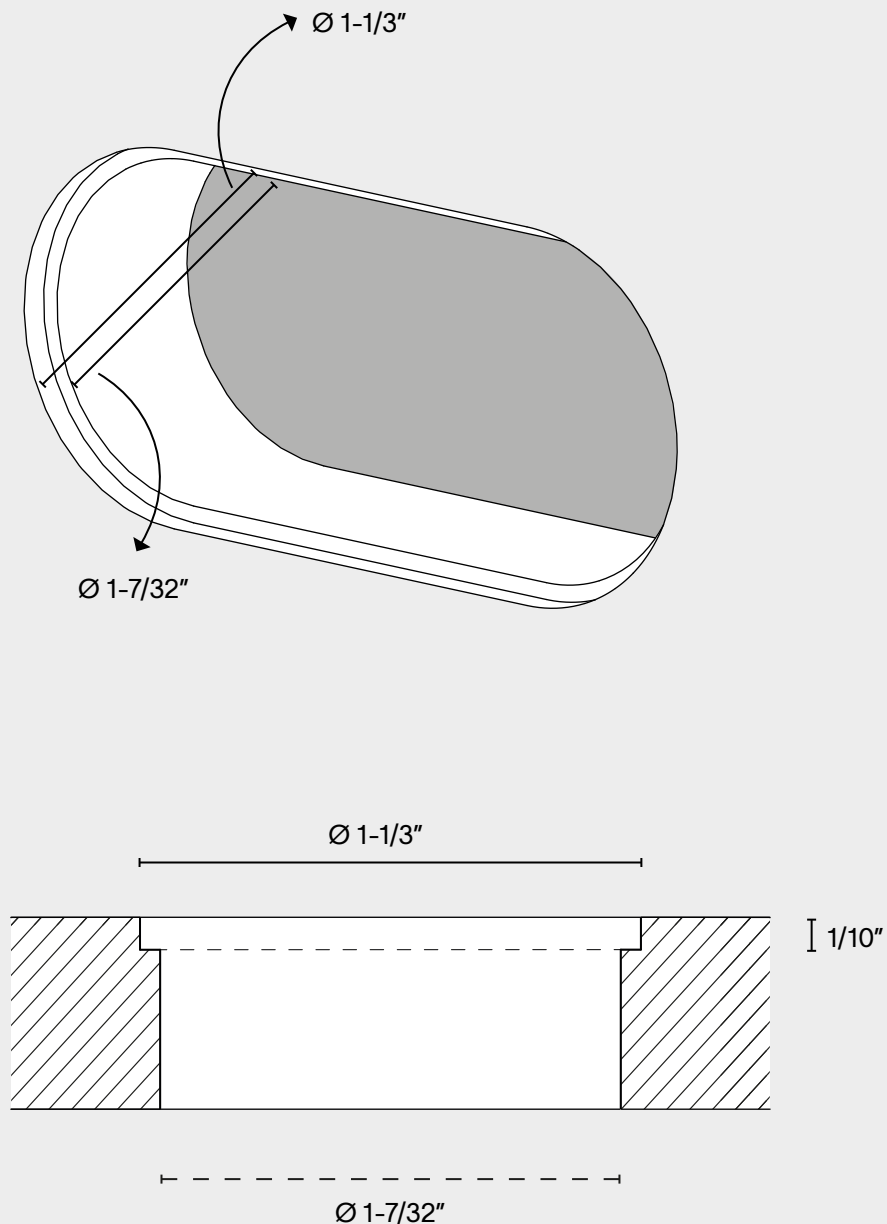
Turn the power off and remove the strain relief.



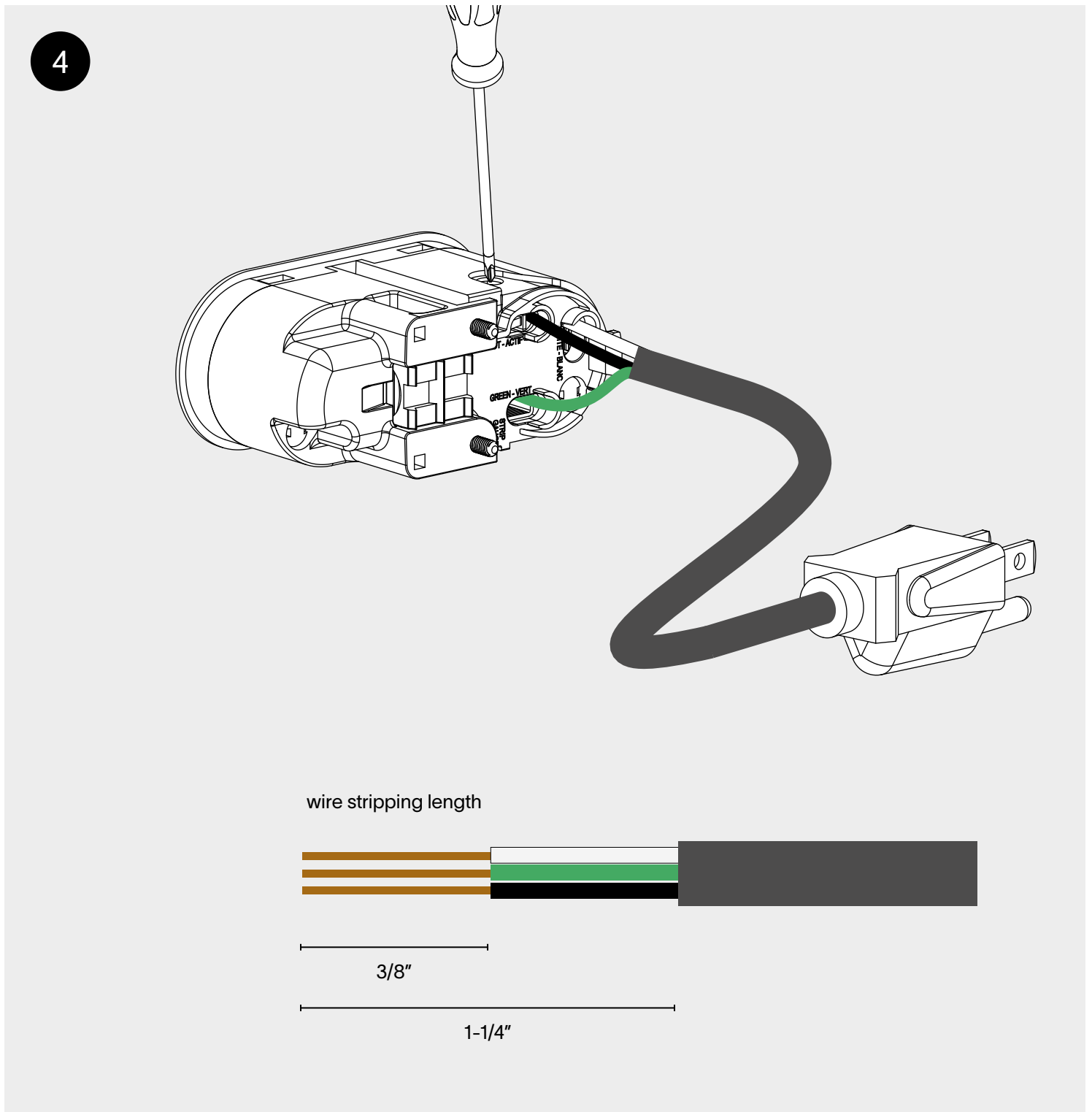
Mill the installation hole. We recommend using a CNC waterjet or laser to create the cut-out. Hand cutting may lead to undesired results.

3

optional flush mount countersink



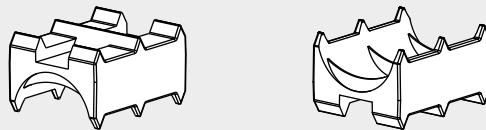
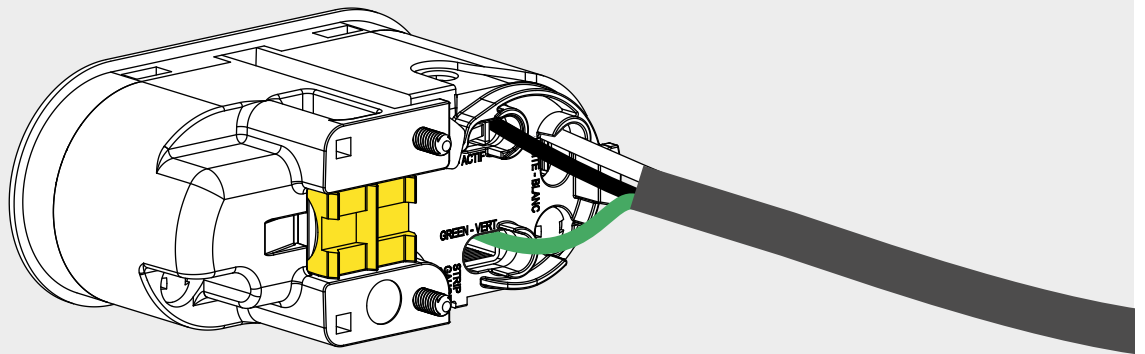
Flush mount countersink. Use a CNC machine to make the countersink hole. Alternatively, for wood you can use a $1/16''$ rabbeting router bit.



Make all necessary connections, make sure correct cable thickness is used:

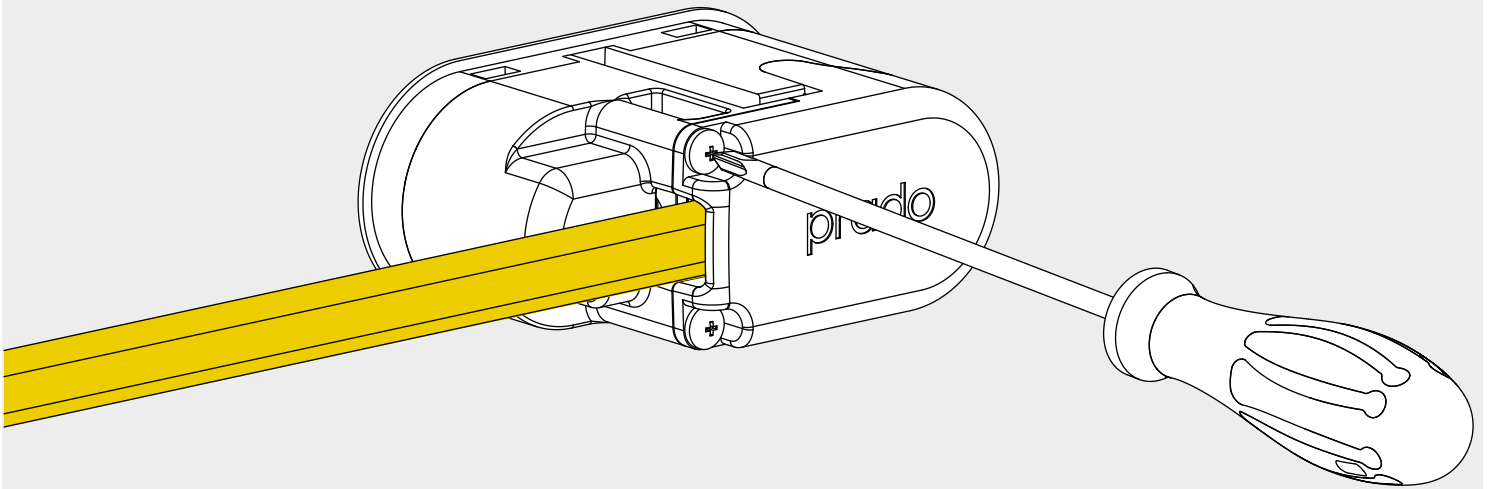
- 15A - 14 AWG
- 20A - 12 AWG

5



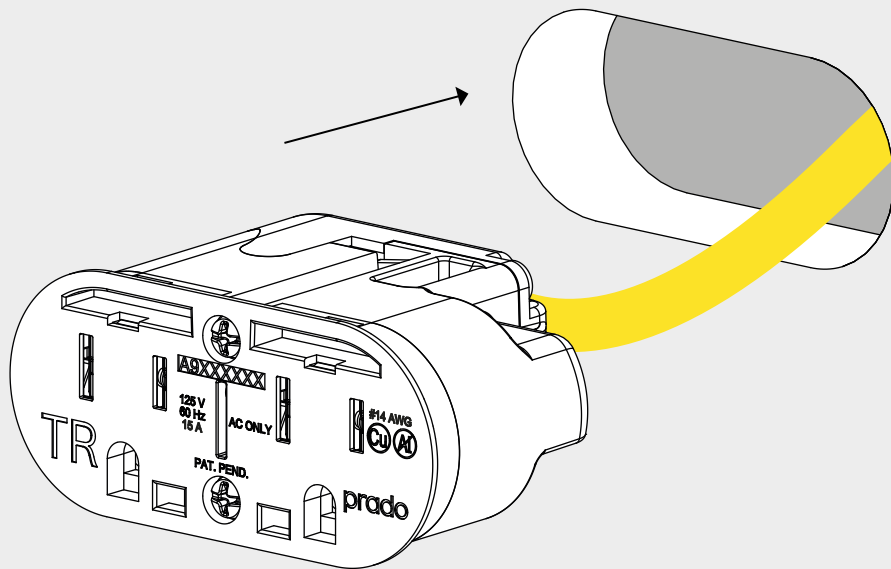
Use the appropriate side of the strain relief depending on the used cable.

6



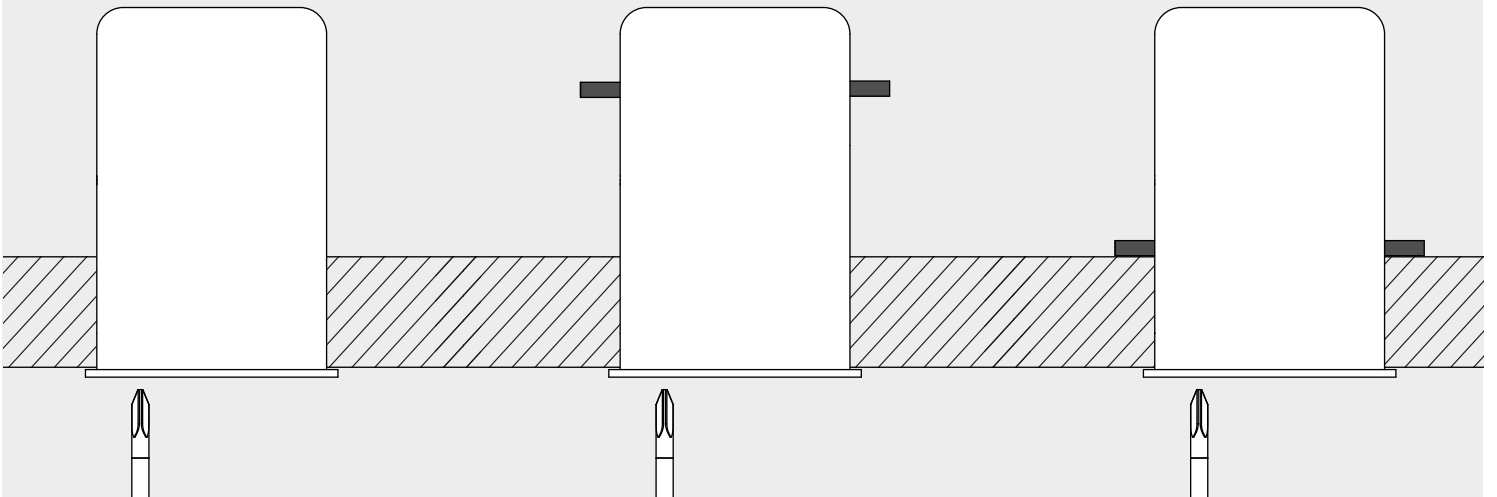
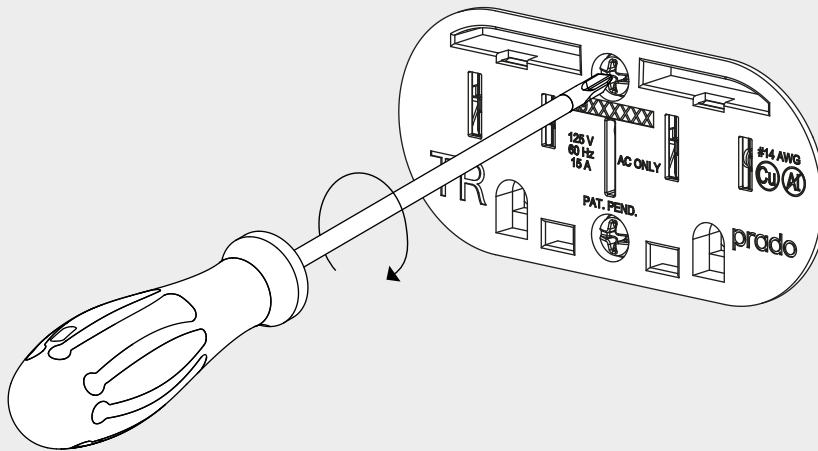
Fasten the strain relief.

7



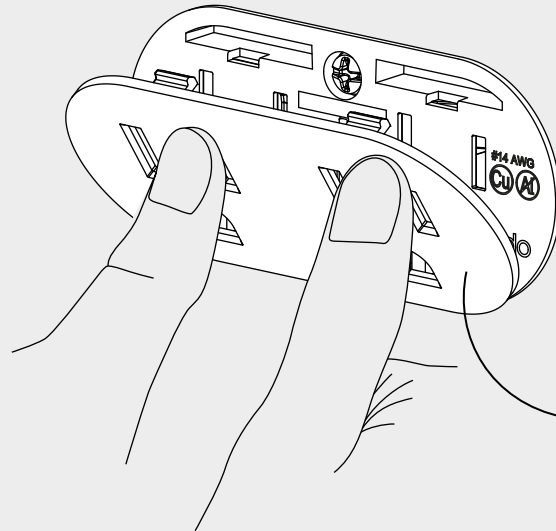
Insert the outlet in the hole.

8

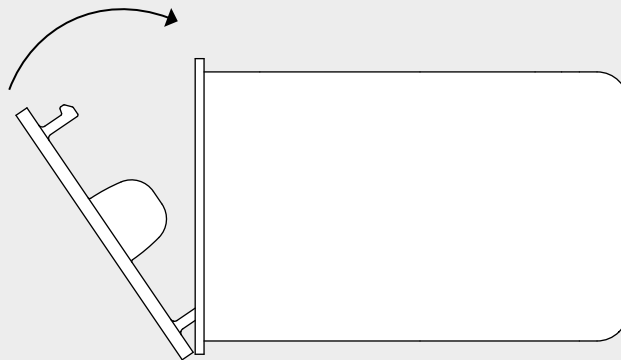


Fixate the outlet by tightening the screws.

9

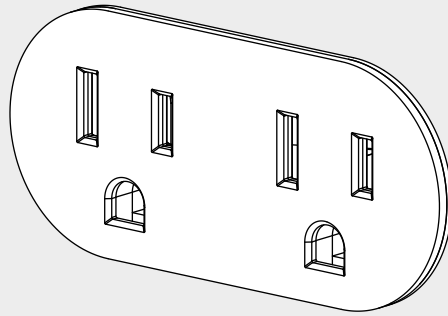


unifit cover plate sold separately

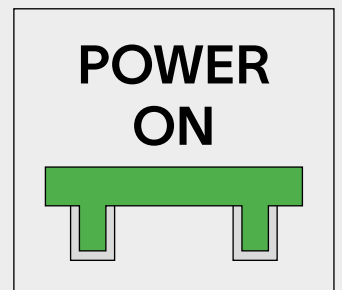


Install the cover plate.

10



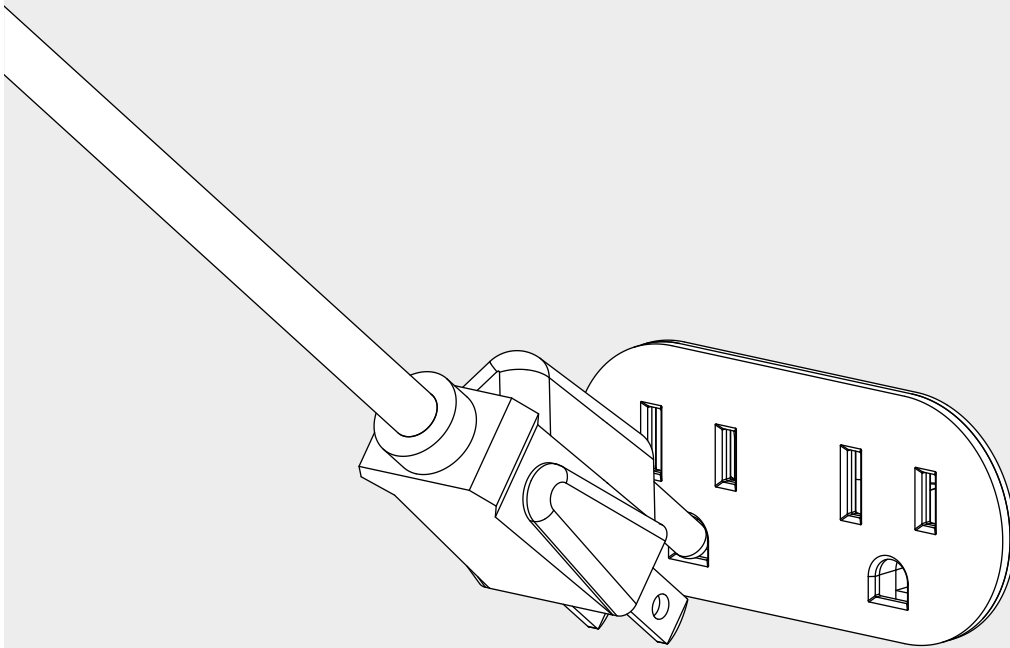
"click"



Turn the power back on.

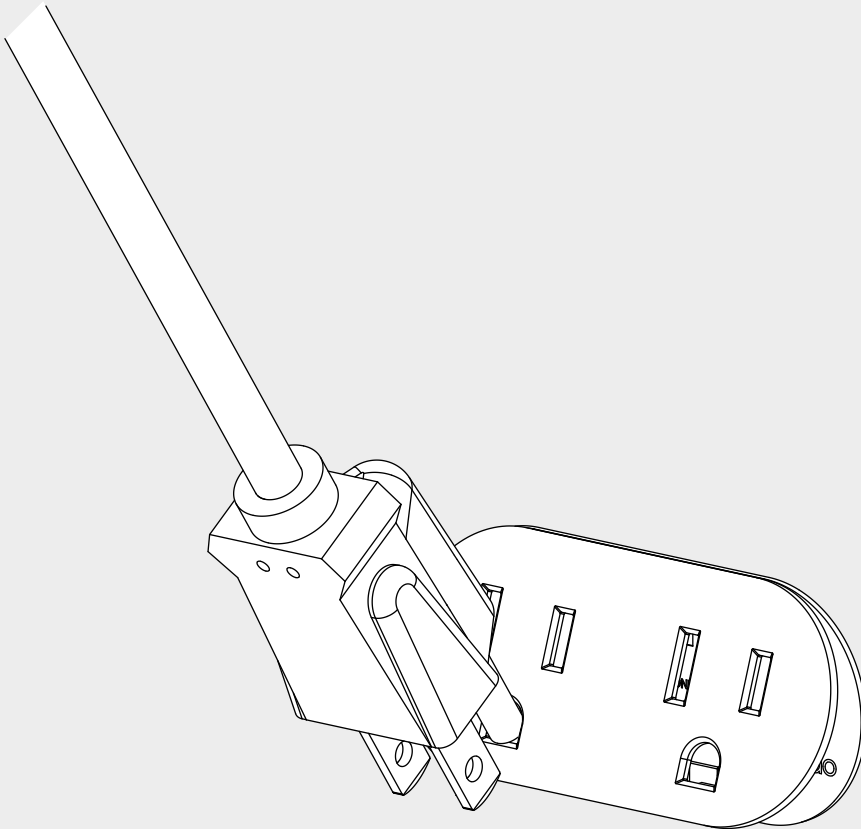
1

for removal

**POWER
OFF**

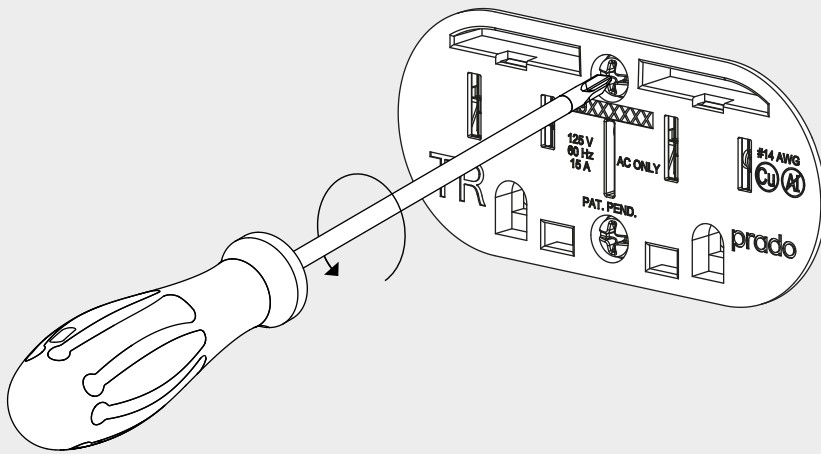
Turn the power off before removing the outlet.

2



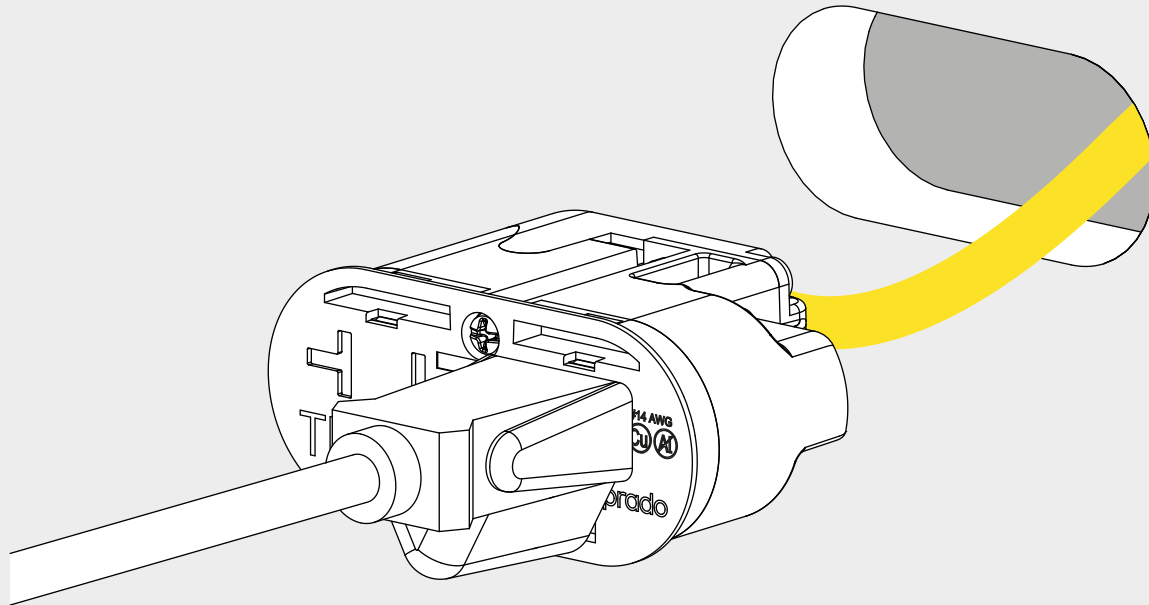
Click off the cover plate using a plug.

3



Loosen the screws.

4



Remove the outlet by using a plug.

thank you for choosing prado



CONFORMS TO UL STD. 498
CERTIFIED TO CSA STD. C22.2#42

prado.com

support@prado.com - Prado America LLC

Installation must be done by skilled professionals only and instructions must be followed at all times. Warranty will not apply in case of wrongful use or if unskilled personnel attempts to repair a product.