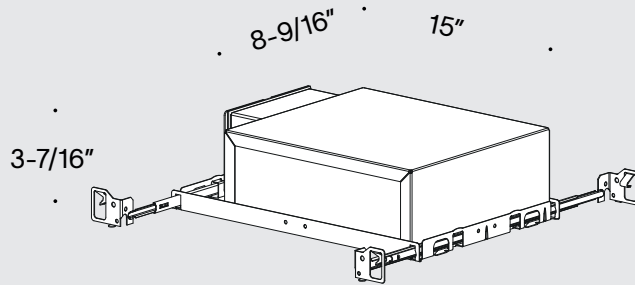
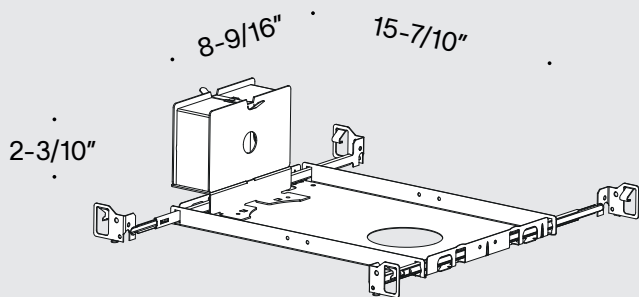


trim spot adjustable installation instruction

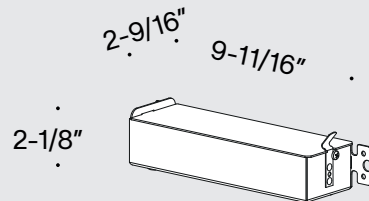
1



housing
IC AT



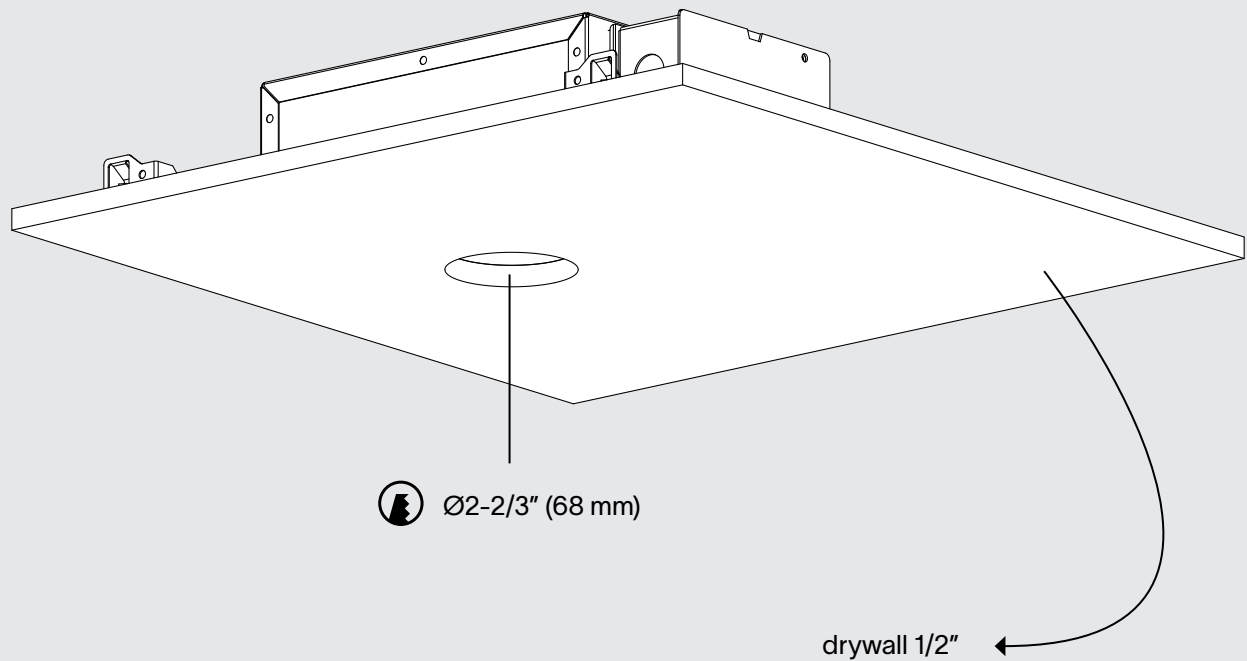
housing
NIC



remodel
IJB

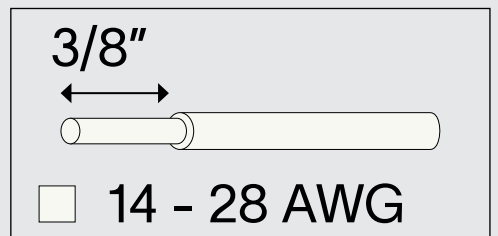
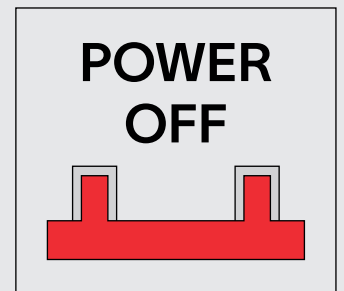
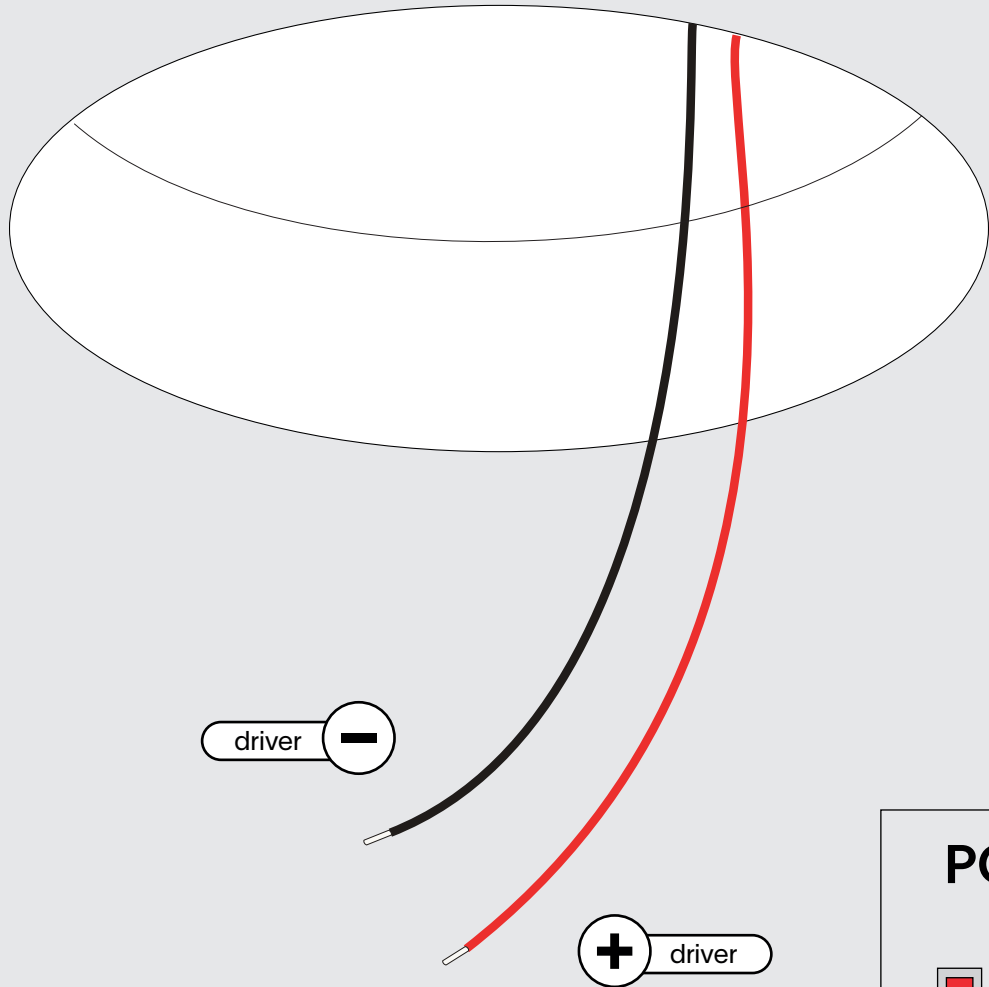
Install the appropriate IC/driver box.

2

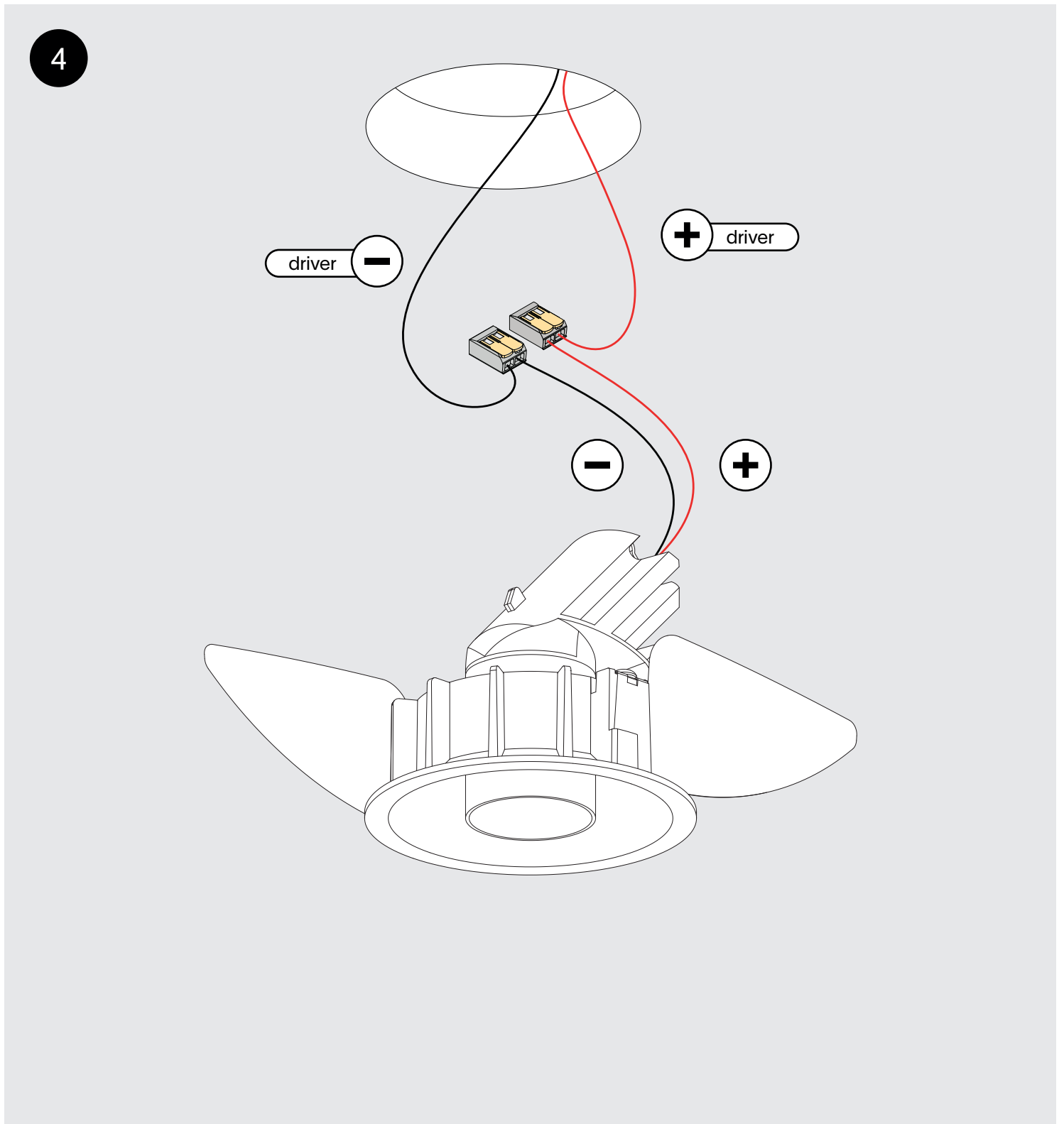


Install the drywall (thickness 1/2") with a round hole ($\text{Ø}2\text{-}2/3''$).

3

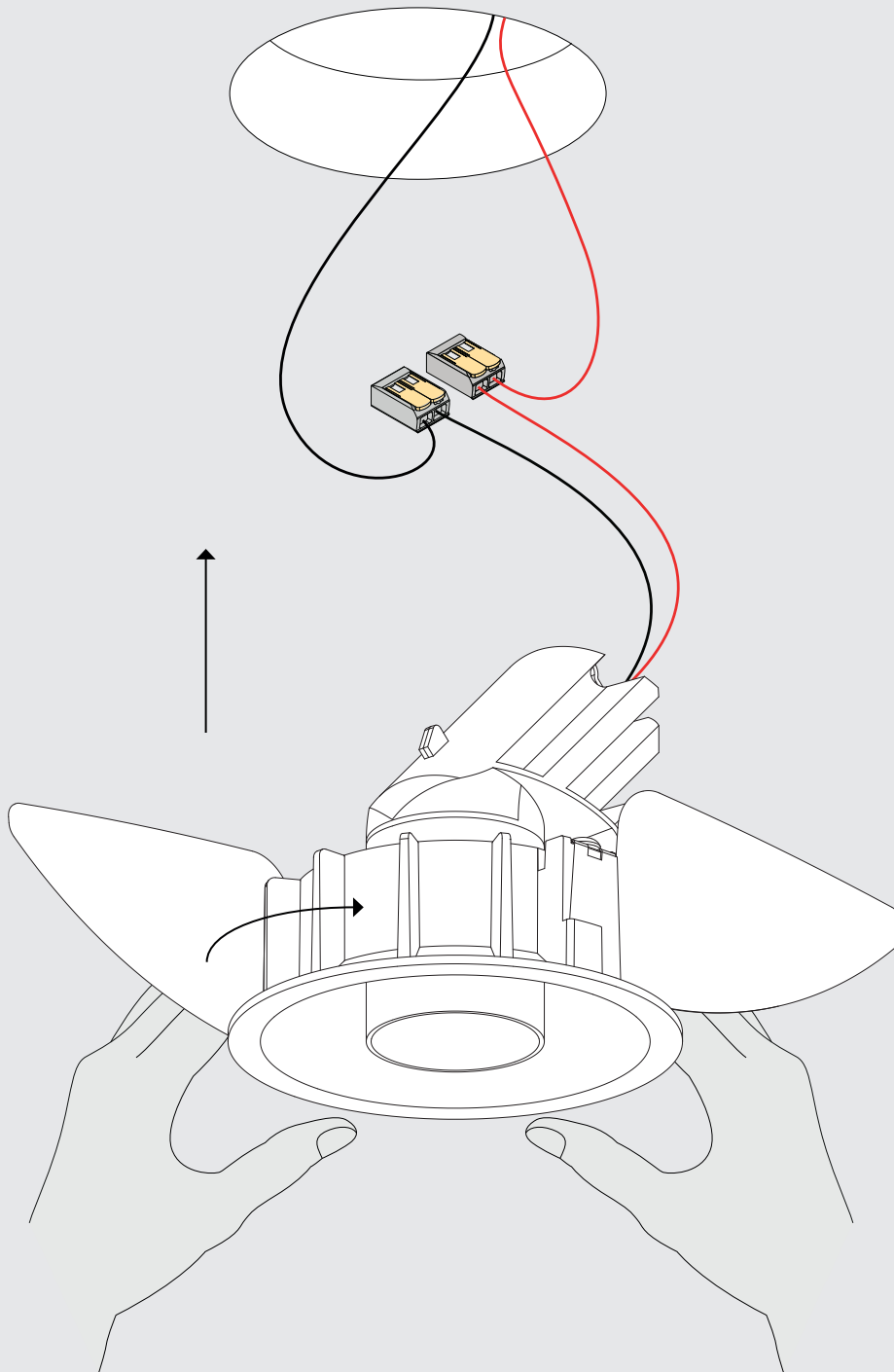


See packaging or fixture label for maximum current.

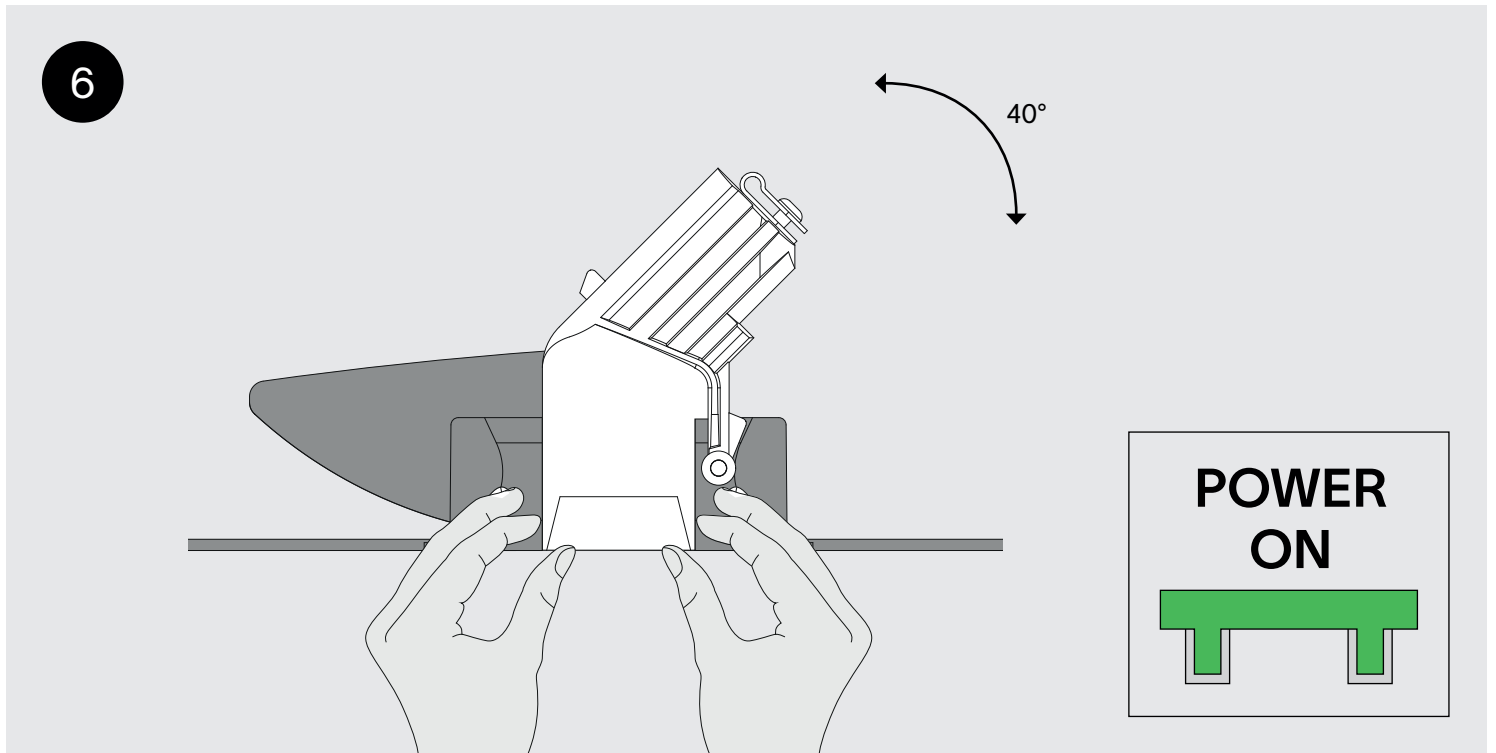


Connect the wires with wago connectors. For serial connection, respect polarity. Combine with a prado LED-driver.

5



Bend over the springs and push the luminaire into the ceiling.



Tilt the luminaire as desired. Turn the power back on.

thank you for choosing prado



		Replace glass lens when broken. Luminaire shall only be used together with glass lens.
--	--	---

prado.com

Installation must be done by skilled professionals only and instructions must be followed at all times. Warranty will not apply in case of wrongful use or if unskilled personnel attempts to repair a product.