

# flush-mount countersink guide

## unifit outlet | single

Achieve a seamless, minimalist finish by flush mounting your unifit single outlet. Follow the steps below for optimal results.

### step-by-step instructions

#### 1. Drill the main hole

- Use a 1-3/8" forstner bit / hole saw
- Ensure clean, accurate alignment

#### 2. Create the countersink (optional)

- Make a circular recess:
  - 1/16" (1.5 mm) around the entire hole
  - 1/10" (2.5 mm) deep

### tooling recommendations

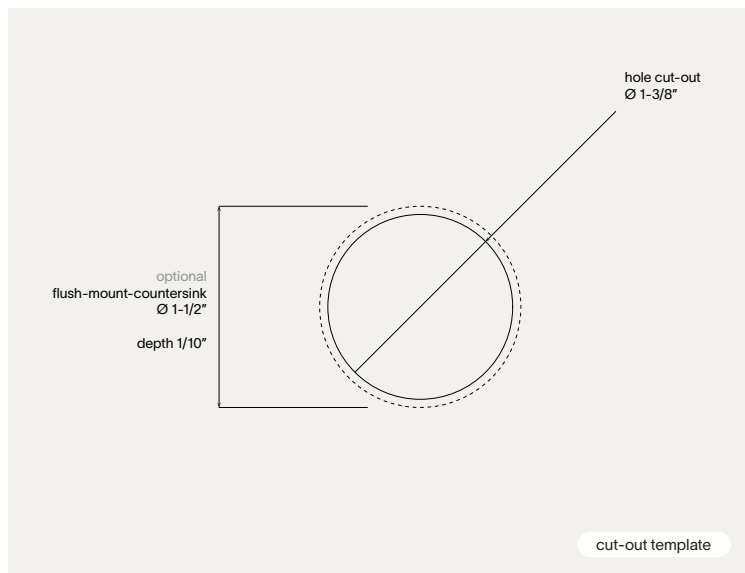
- **Wood, veneer:**

Hole: 1-3/8" forstner bit / hole saw  
Countersink: 1/16" rabbeting router bit

Install can be done on site. Example: [Tools Today](#)

- **Wood, veneer & hard materials (stone, tile, metal, glass):**

Hole: CNC machine / waterjet / laser.  
Countersink: CNC machine only



\* Prado America LLC is not liable for incorrect hole drilling. Installation must be carried out by a qualified professional. We recommend testing the process on a sample material before final installation.

# flush-mount countersink guide

## unifit outlet | duplex

Achieve a seamless, minimalist finish by flush mounting your unifit duplex outlet. Follow the steps below for optimal results.

### step-by-step instructions

#### 1. Mill the main hole

- Use a CNC machine, waterjet or laser to mill the hole
- Ensure clean, accurate alignment

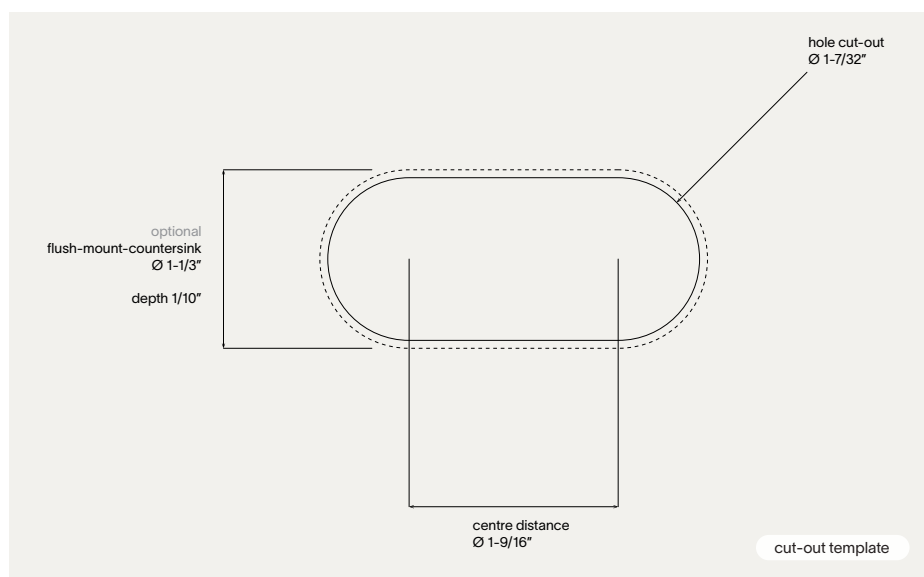
#### 2. Create the countersink (optional)

- Make a recess:
  - 1/16" (1.5 mm) around the entire hole
  - 1/10" (2.5 mm) deep

### tooling recommendations

- Wood, veneer & hard materials (stone, tile, metal, glass):

Hole:	CNC machine / waterjet / laser.
Countersink:	CNC machine only



\* Prado America LLC is not liable for incorrect hole drilling. Installation must be carried out by a qualified professional. We recommend testing the process on a sample material before final installation.