

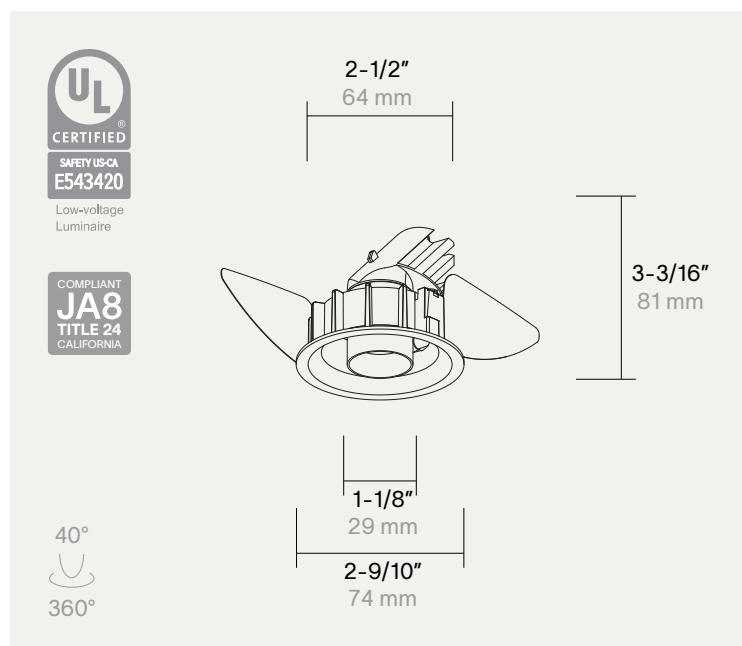
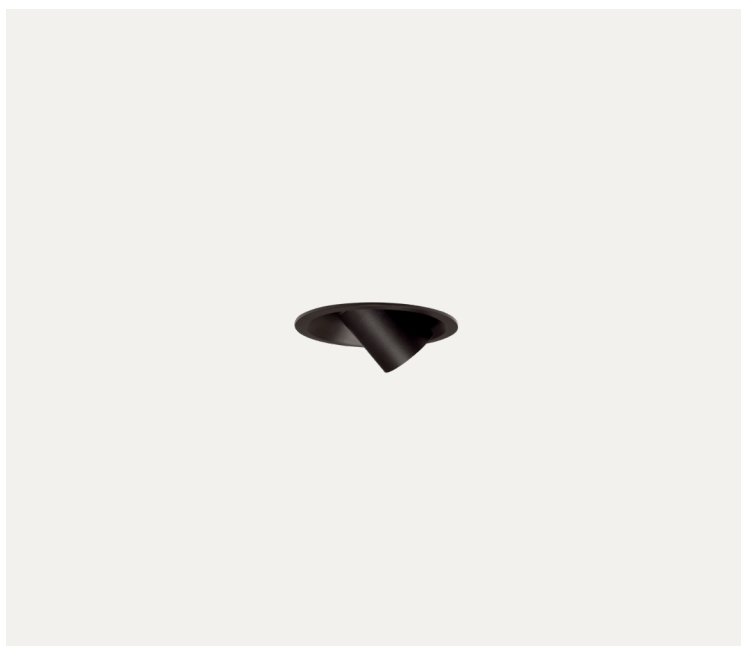
# trim spot | adjustable 2.0

---

We aim to create cleaner ceilings.  
Show what you want, hide what you need.



luminaire specs	3
configure yours	4
finishes	5
luminaire output	6
accessories	8
housing	10
drivers	12



# trim spot | adjustable 2.0

installation

## luminaire specs

delivered lumen	up to 800lm		
watts	up to 9.7W		
efficacy	95lm/W		
CRI	90+	97	
R9 value	CRI 90+: >50	CRI 97: >91	
CBCP	20° pc: 4610cd	40° pc: 1149cd	
	60° pc: 605cd	40° glass: 2142cd	
color temperature (CCT)	2700K	3000K	3500K
	dim 2 warm: 3000K > 1800K		
color consistency	2-step SDCM		
driver input voltage	120V		
dimming	DALI/0-10V/phase dimming		
power supply	constant current driver with +.9 power factor and +80% efficiency		
optics	20° / 40° / 60°		
adjustability	rotation 360°	tilt 40°	
suitable for	dry locations (IP20)		
ceiling appearance	trim		
drill hole size	Ø2-2/3" (Ø68 mm)		

ceiling thickness	min. 5/64" (2 mm)	max. 15/16" (24 mm)
L80	>55000 h	
housing (not incl.)	IC box airtight	IC box non-airtight
	non-IC frame	remodeling box
double springs (not incl.)	10 pack (5 sets)	
material	aluminum	
aluminum finishes	black ano	white struc
	brushed steel	brushed grey
	brushed bronze	
aluminum weight	0.67 lb (0.31 kg)	
general listings	UL Listed	California Title 24
warranty	1 year (5 years on LED)	

Respect distances, cable sections and IP ratings. Split AC and DC to prevent LED glowing.

configure yours

21192 · -- · --- · --- · ---

product	variant	CRI	CCT *	beam	dimming **	finish
21192. trim spot adj.	09. long	1 90+	01. 2700K	03 20° pc	0. driver excluded	001 black ano
			02. 3000K	06 40° pc		002 white struc
			03. 3500K	09 60° pc		003 brushed steel
		2 97	90. dim 2 warm	07 40° glass	0. driver excluded	004 brushed grey
			01. 2700K	03 20° pc		005 brushed bronze
			02. 3000K	06 40° pc		001 black ano
2 97	90. dim 2 warm	03. 3500K	09 60° pc	0. driver excluded	002 white struc	
		01. 2700K	03 20° pc		003 brushed steel	
		02. 3000K	06 40° pc		004 brushed grey	
2 97	90. dim 2 warm	03. 3500K	09 60° pc	0. driver excluded	005 brushed bronze	
		01. 2700K	03 20° pc		001 black ano	
		02. 3000K	06 40° pc		002 white struc	
2 97	90. dim 2 warm	03. 3500K	09 60° pc	0. driver excluded	003 brushed steel	
		01. 2700K	03 20° pc		004 brushed grey	
		02. 3000K	06 40° pc		005 brushed bronze	

\* other CCT available on request

\*\* phase dimming, 0-10V & dali possible, consult driver matrix, driver sold separately

driver matrix

---

**finishes**

aluminum

white struc (RAL 9003)



brushed steel



brushed bronze



brushed grey



black ano

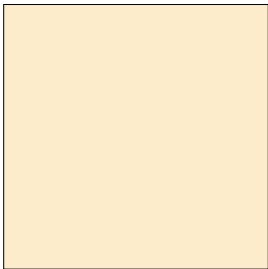


Custom RAL finishes available on request.

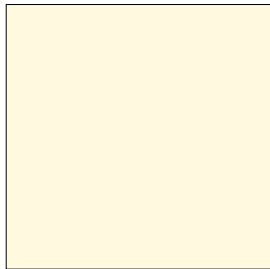
---

**correlated color temperature (CCT)**

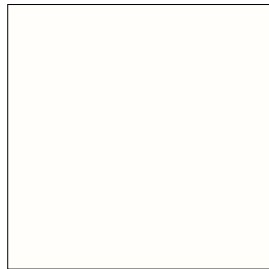
2700K: extra warm white



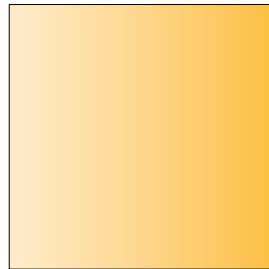
3000K: warm white



3500K: neutral white



dim 2 warm: 3000K > 1800K

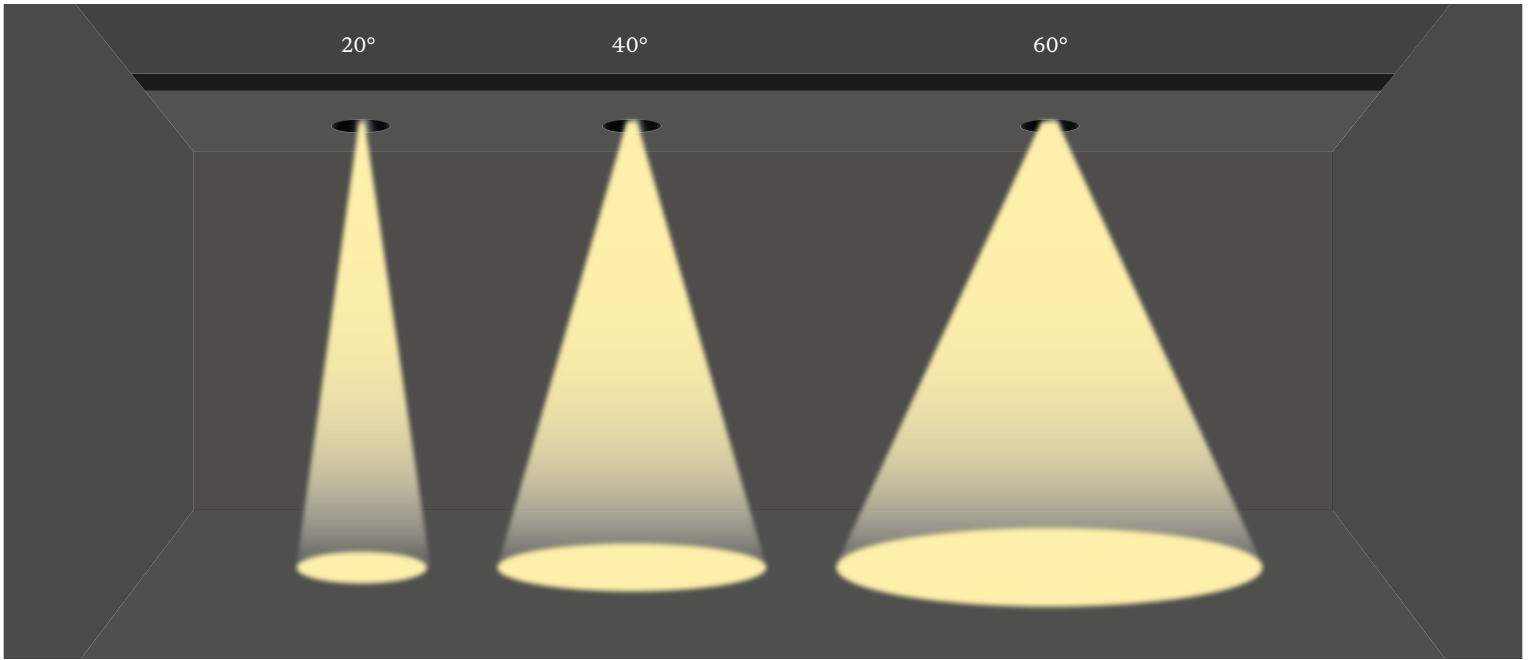


## beam angle

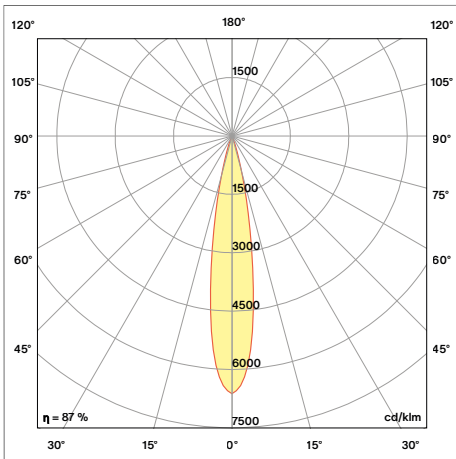
	20° pc	40° pc	60° pc	dim 2 warm (40° glass)
alu	500mA max	500mA max	500mA max	350mA max

## luminaire output

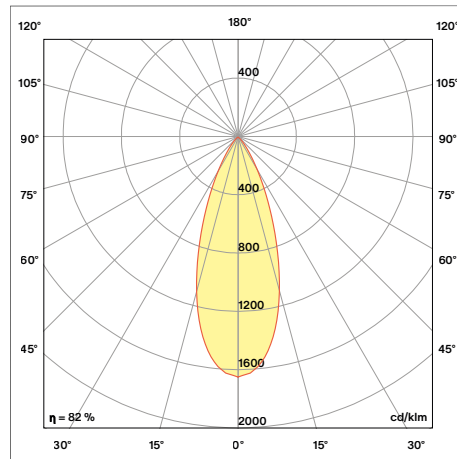
		350mA (6.4W, 18.3Vf)		500mA (9.7W, 19.4Vf)
2700K	20° pc	550lm	-	750lm
	40° pc	550lm	-	750lm
	60° pc	500lm	-	675lm
3000K	20° pc	575lm	-	775lm
	40° pc	575lm	-	775lm
	60° pc	525lm	-	700lm
3500K	20° pc	600lm	-	800lm
	40° pc	600lm	-	800lm
	60° pc	550lm	-	725lm
dim 2 warm	40° glass	-	425lm	-



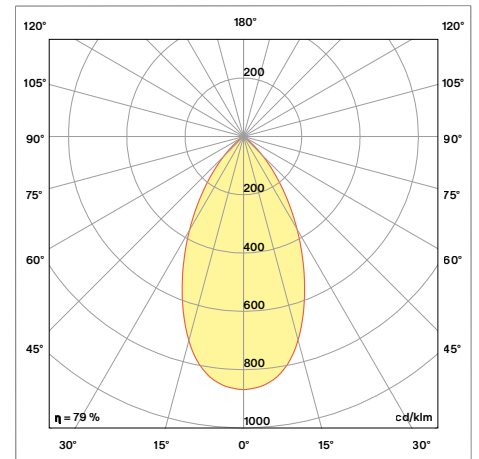
20° pc



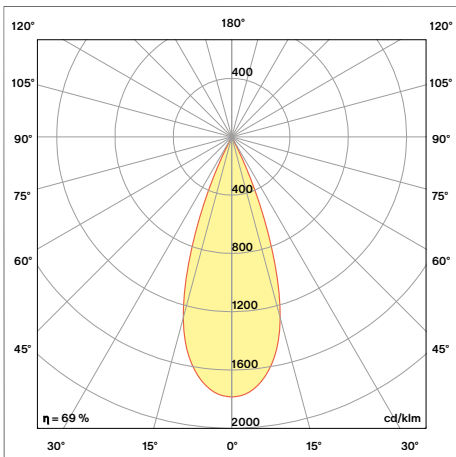
40° pc



60° pc



dim 2 warm (40° glass)



---

**accessories**


---

**optional double springs (not incl.)**

	product code
double springs - 10 pack (5 sets)	8000-8480

---

**housing (not incl.)**

	UL listed	product code
IC box + plaster frame 3-1/2" high airtight	yes	9000-0107
IC box + plaster frame 3-1/2" high non-airtight	yes	9000-0101
NON-IC plaster frame	yes	9000-0106
remodeling box 2.37x1.5x8	yes	9000-0104
bar hanger kit	n/a	9000-0102

---

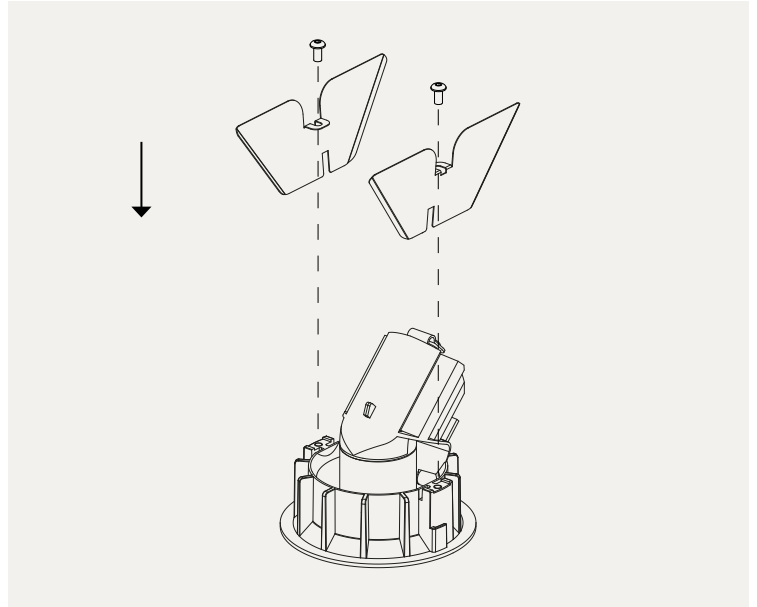
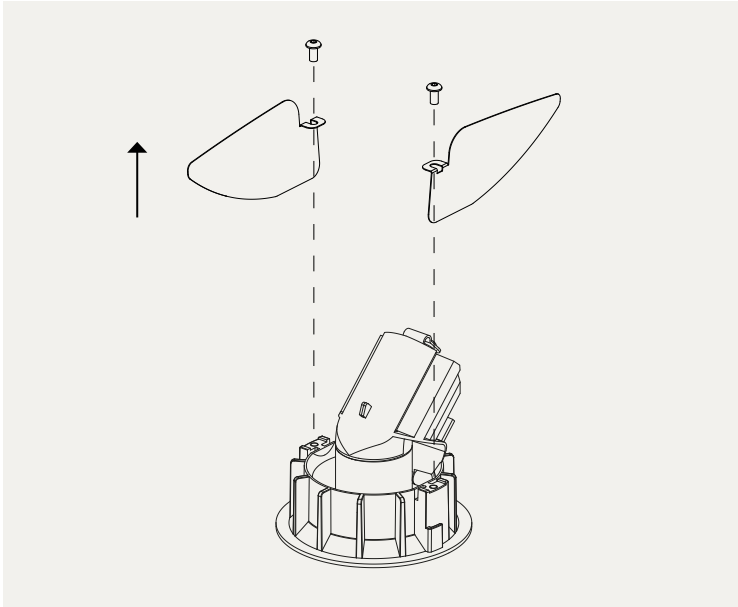
**drivers (not incl.)**

	number of fixtures	Title 24 JA8 compliant	UL listed	product code
SOLOdrive 0-10V 350mA 22W	1-2	yes	yes	9000-1008
SOLOdrive 0-10V 500mA 22W	1-2	yes	yes	9000-1002
SOLOdrive DALI 350mA 22W	1-2	yes	yes	9000-1006
SOLOdrive DALI 500mA 22W	1-2	yes	yes	9000-1001
Phase dimming / 0-10V dimmable driver constant current 350mA 15W	1	yes	yes	9000-1028
Phase dimming / 0-10V dimmable driver constant current 500mA 15W	1	yes	yes	9000-1029
DALI / 0-10V dimmable driver 60W constant current multi power	2-4	no	yes	9000-1014

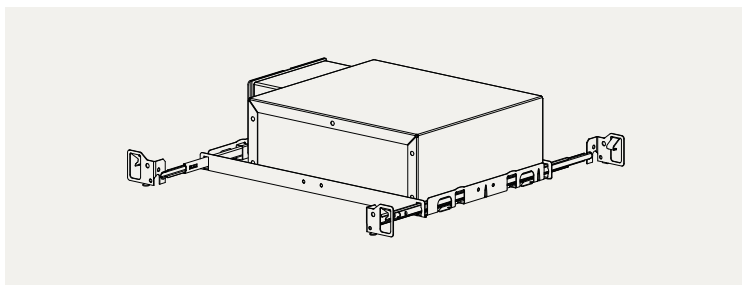
## optional double springs (not incl.)

	product code	ceiling type
double springs - 10 pack (5 sets)	8000-8480	wood / concrete / thicker than 24 mm

replacing single springs to double springs



## housing (not incl.)

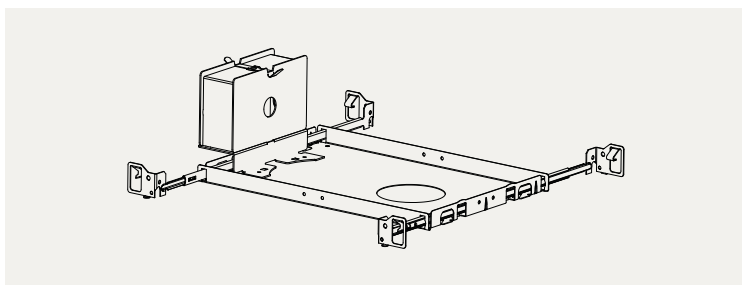
**IC box + plaster frame 3-1/2" high**[spec sheet](#)

new construction airtight / non-airtight

for use insulated ceiling

UL listed

dimensions D x W x H 12-7/16 × 8-9/16 × 3-7/16"

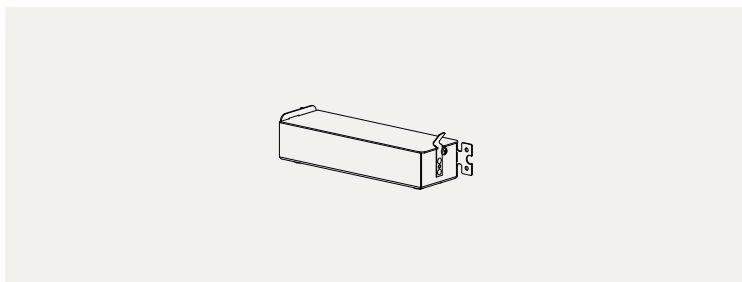
**non-IC plaster frame**[spec sheet](#)

new construction

for use in non-insulated ceiling

UL listed

dimensions D x W x H 15 × 8-9/16 × 4-3/8"

**remodeling box 2.37x1.5x8**[spec sheet](#)

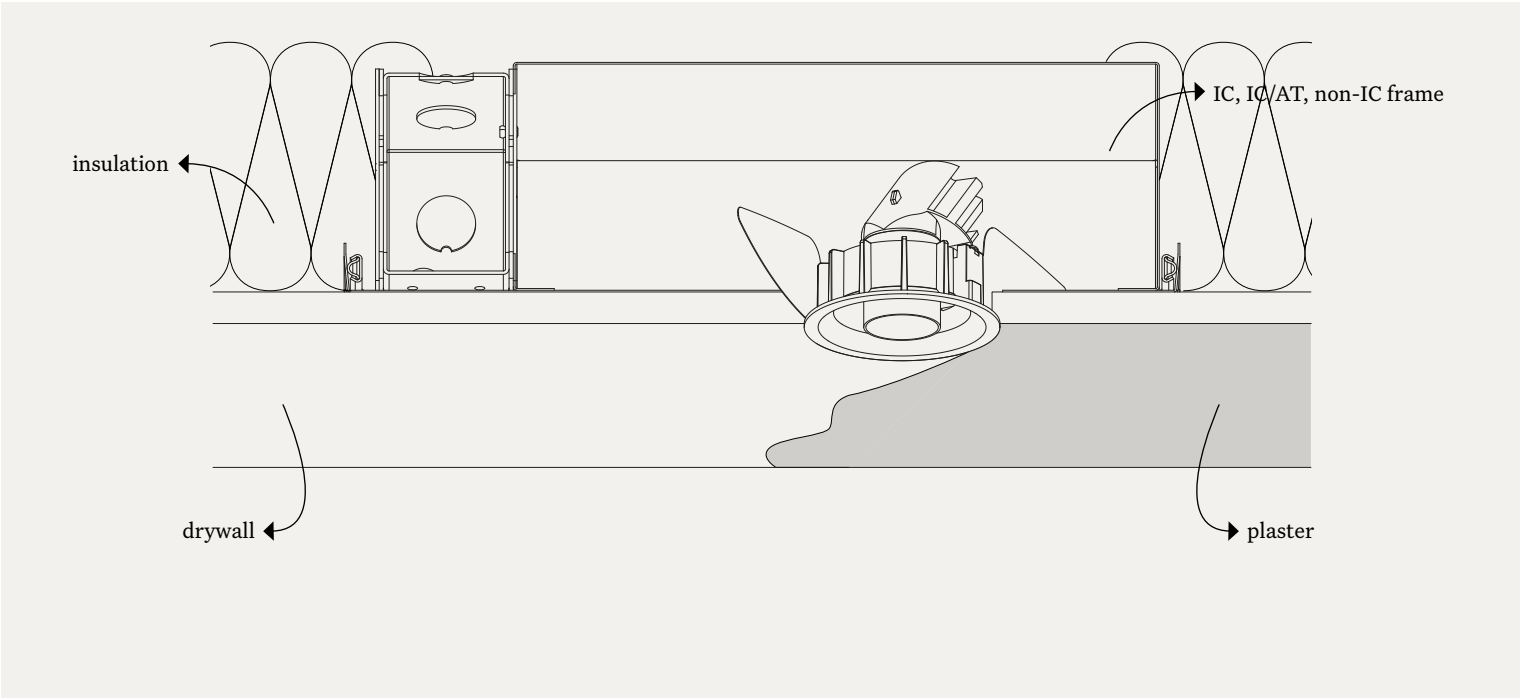
for remote installation

UL listed

does not fit through hole

dimensions D x W x H 8 × 2-9/16 × 1-2/3"

illustration in combination with IC box



**driver matrix**

new construction	insulated ceiling	IC box + plaster frame 3-1/2"	remote driver	remodeling box 2.37x1.5x8
			local driver	driver in inner junction box
	non-insulated ceiling	non-IC plaster frame	remote driver	remodeling box 2.37x1.5x8
			local driver	driver in inner junction box
remodeling			remote driver	remodeling box 2.37x1.5x8

driver matrix

cable length

**compatible drivers**

**remodeling box 2.37x1.5x8 / integral driver box**

SOLOdrive 0-10V 350mA 22W

SOLOdrive 0-10V 500mA 22W

SOLOdrive DALI 350mA 22W

SOLOdrive DALI 500mA 22W

Phase dimming / 0-10V dimmable driver constant current 350mA 15W

Phase dimming / 0-10V dimmable driver constant current 500mA 15W

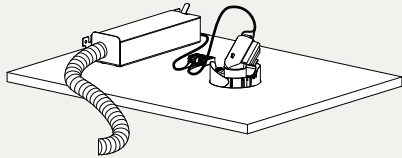
illustration driver matrix

local driver

above ceiling access required for both installation and service <sup>1</sup>

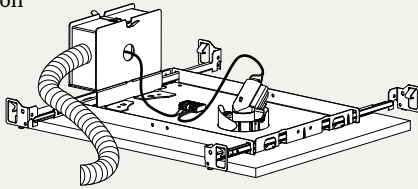
check driver matrix (cut-out column) <sup>2</sup>

<sup>2</sup> remodel

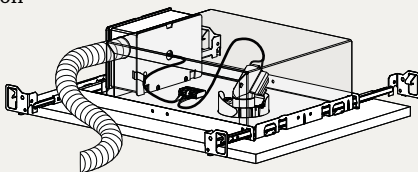


driver matrix

<sup>1</sup> new construction  
non-IC

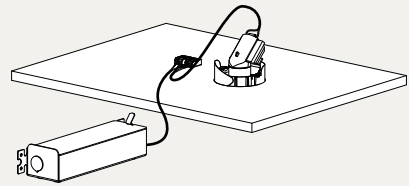


<sup>1</sup> new construction  
IC 3-1/2"

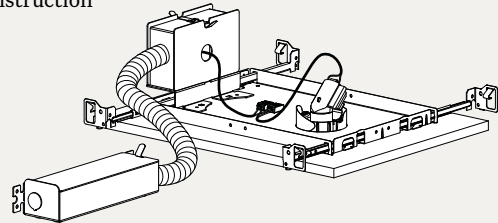


remote driver <sup>3</sup>

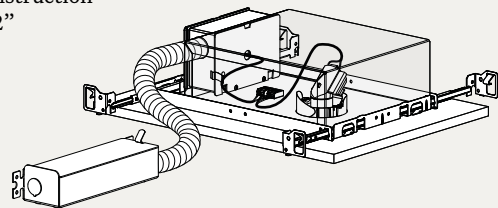
remodel



new construction  
non-IC



new construction  
IC 3-1/2"



<sup>3</sup> max driver distance

AWG18 (2 × 1 mm<sup>2</sup>) 40 ft (12 m)

AWG16 (2 × 1.5 mm<sup>2</sup>) 65 ft (20 m)

AWG14 (2 × 2.5 mm<sup>2</sup>) 100 ft (30 m)

AWG12 (2 × 4 mm<sup>2</sup>) 160 ft (49 m)

wiring diagram

serial connection

