

**prado**

**invisible home technology**  
prado.com

drawing name remodeling box 2.37x1.5x8

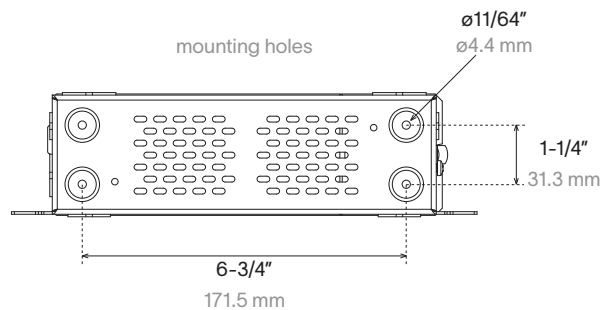
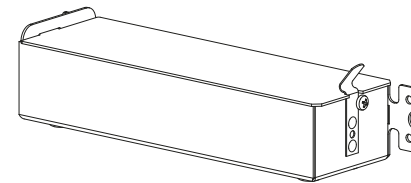
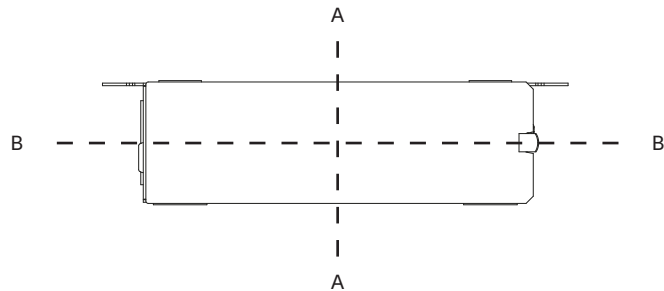
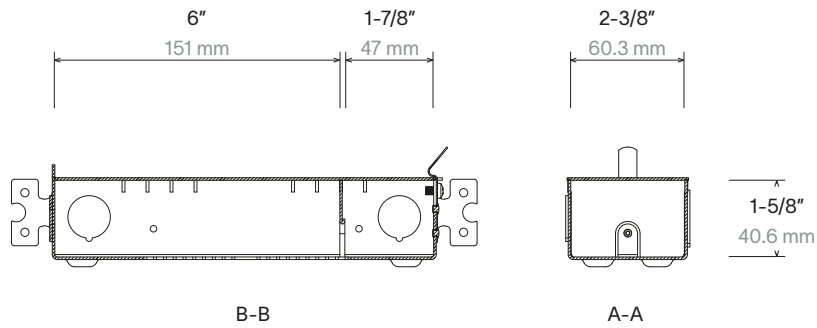
dimensions inches & mm

sheet size US letter

scale 1:4 

© Prado America LLC

This drawing is property of prado america llc and can not be copied,  
neither shown to third party without written permission.



**prado**

**invisible home technology**  
prado.com

drawing name remodeling box 2.37x1.5x8

dimensions inches & mm

sheet size US letter

scale 1:4

© Prado America LLC

This drawing is property of prado america llc and can not be copied, neither shown to third party without written permission.

# remodeling box 2.37x1.5x8

order number	product code	specifications
remodeling box 2.37x1.5x8	9000-0104	for remote installation UL listed

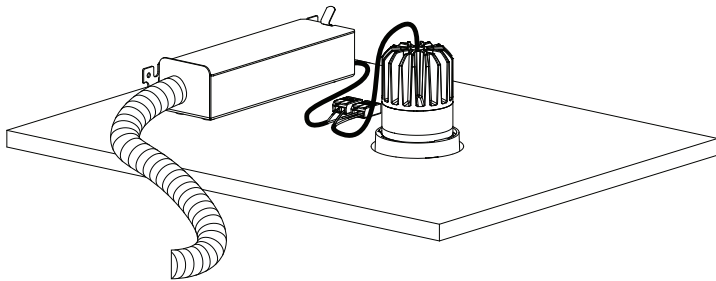
## compatible drivers

drivers (for remote installation only)	product code	number of fixtures	UL listed	Title 24 JA8 compliant
SOLOdrive 0-10V 350mA 22W (1-2fx)	9000-1008	1-2	yes	yes
SOLOdrive 0-10V 500mA 22W (1-2fx)	9000-1002	1-2	yes	yes
SOLOdrive 0-10V 700mA 22W (1fx)	9000-1009	1	yes	yes
SOLOdrive DALI 350mA 22W (1-2fx)	9000-1006	1-2	yes	yes
SOLOdrive DALI 500mA 22W (1-2fx)	9000-1001	1-2	yes	yes
SOLOdrive DALI 700mA 22W (1fx)	9000-1007	1	yes	yes
Hatch phase dimming driver constant current 350mA - 12W (1fx)	9000-1003	1	yes	no
Hatch phase dimming driver constant current 500mA - 12W (1fx)	9000-1004	1	yes	no
Hatch phase dimming driver constant current 700mA - 14W (1fx)	9000-1005	1	yes	no
Hatch phase dimming driver constant current 350mA - 30W (2-3fx)	9000-1010	2-3	yes	no
Hatch phase dimming driver constant current 500mA - 30W (2-3fx)	9000-1011	2-3	yes	no
Hatch phase dimming driver constant current 700mA - 30W (1-2fx)	9000-1012	1-2	yes	no
Hatch phase dimming driver constant current 350mA - 22W	9000-1026	2-3	yes	no

# remodeling box 2.37x1.5x8

---

illustration driver matrix

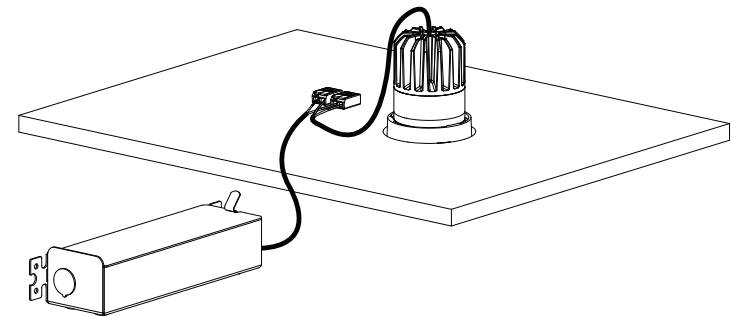


---

## local driver

---

above ceiling access required for both installation and service



---

## remote driver

---

max driver distance

---

AWG18	40 ft
-------	-------

---

AWG16	65 ft
-------	-------

---

AWG14	100 ft
-------	--------

---

AWG12	161 ft
-------	--------

---